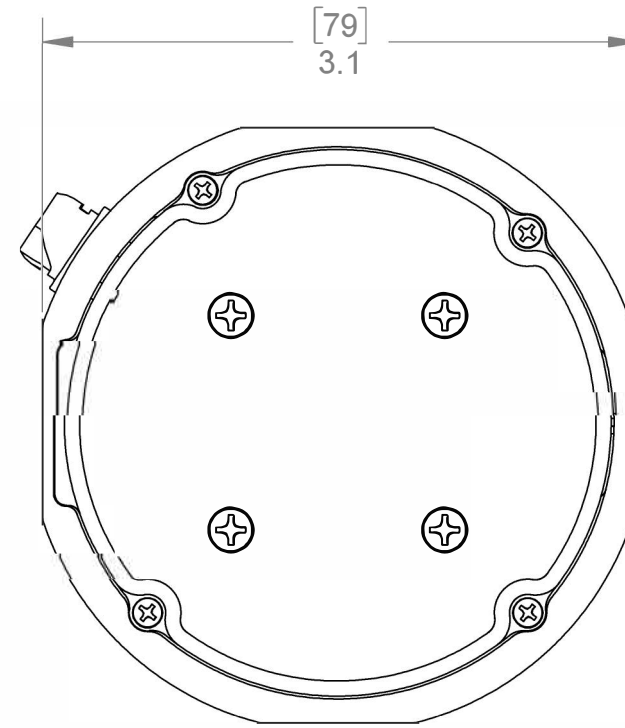
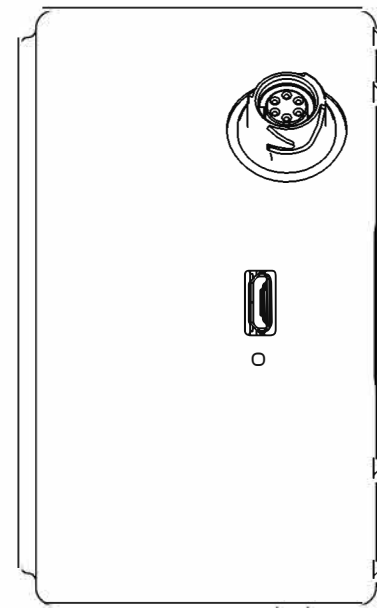
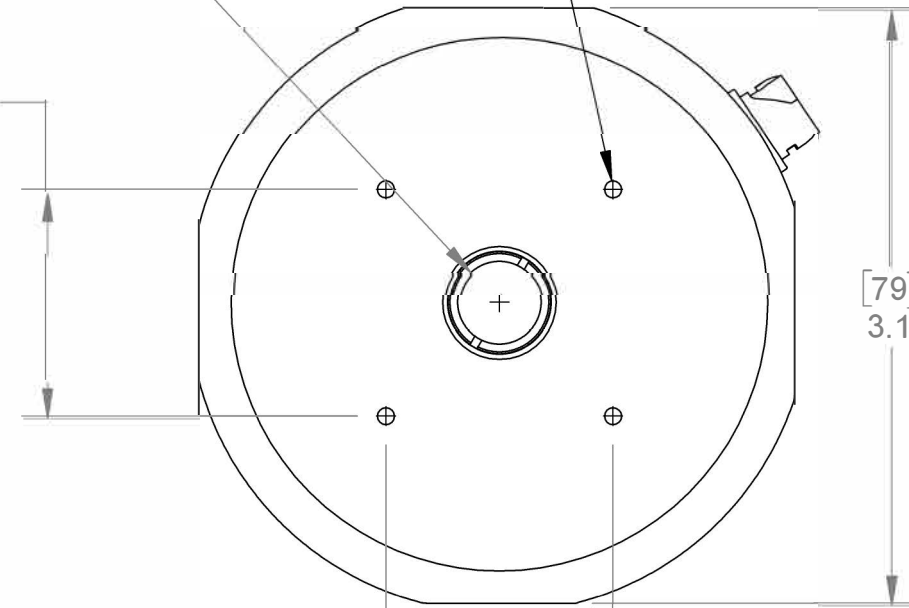


4-40 TAPPED HOLES  
4 PL

APERTURE  
Ø .39 [10]

[30]  
1.181



**FOR INFORMATION ONLY  
NOT FOR MANUFACTURING PURPOSES**  
Dimensions: Inches [mm]

DO NOT SCALE DRAWING



DATE PRINTED:

APPROVALS DATE

DRAWN **cmansfield** 4/5/16

CHECKED

MATERIAL

FINISH

**POLSnap, Overall  
Dimensions**

SIZE	FSCM NO.	DWG. NO.	REV.
<b>B</b>		<b>04052016-01-OD</b>	<b>0</b>
SCALE	1:1	RELEASE DATE:	SHEET 1 OF 1