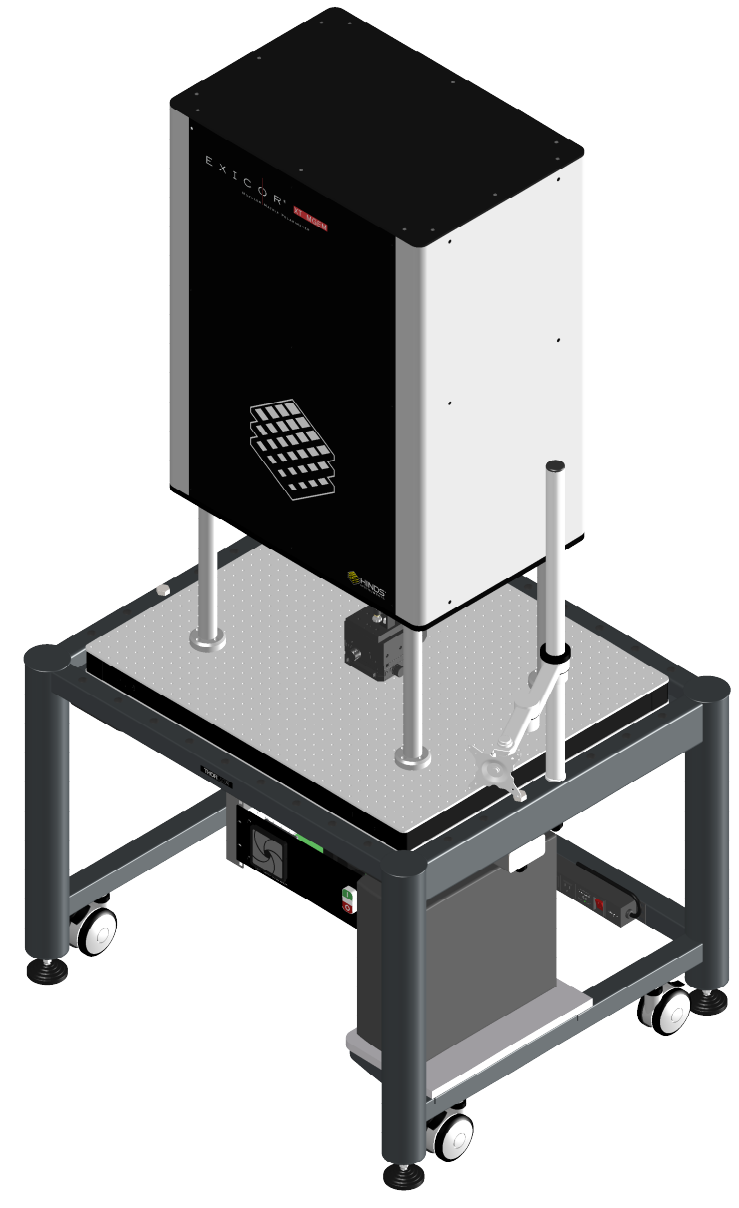
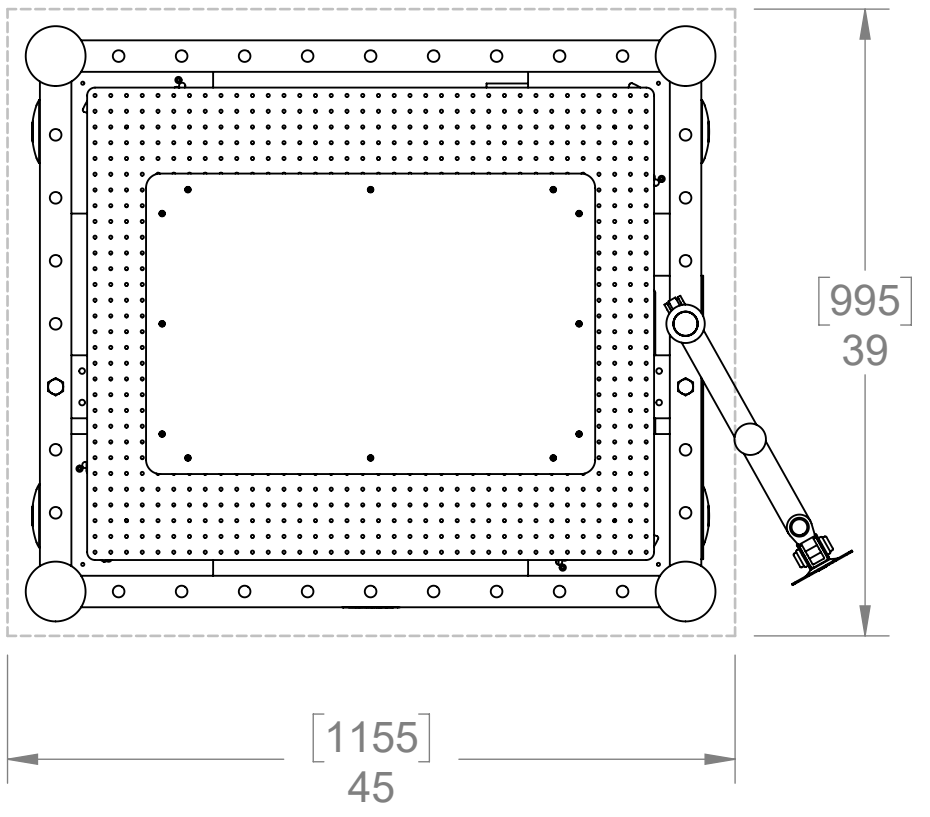
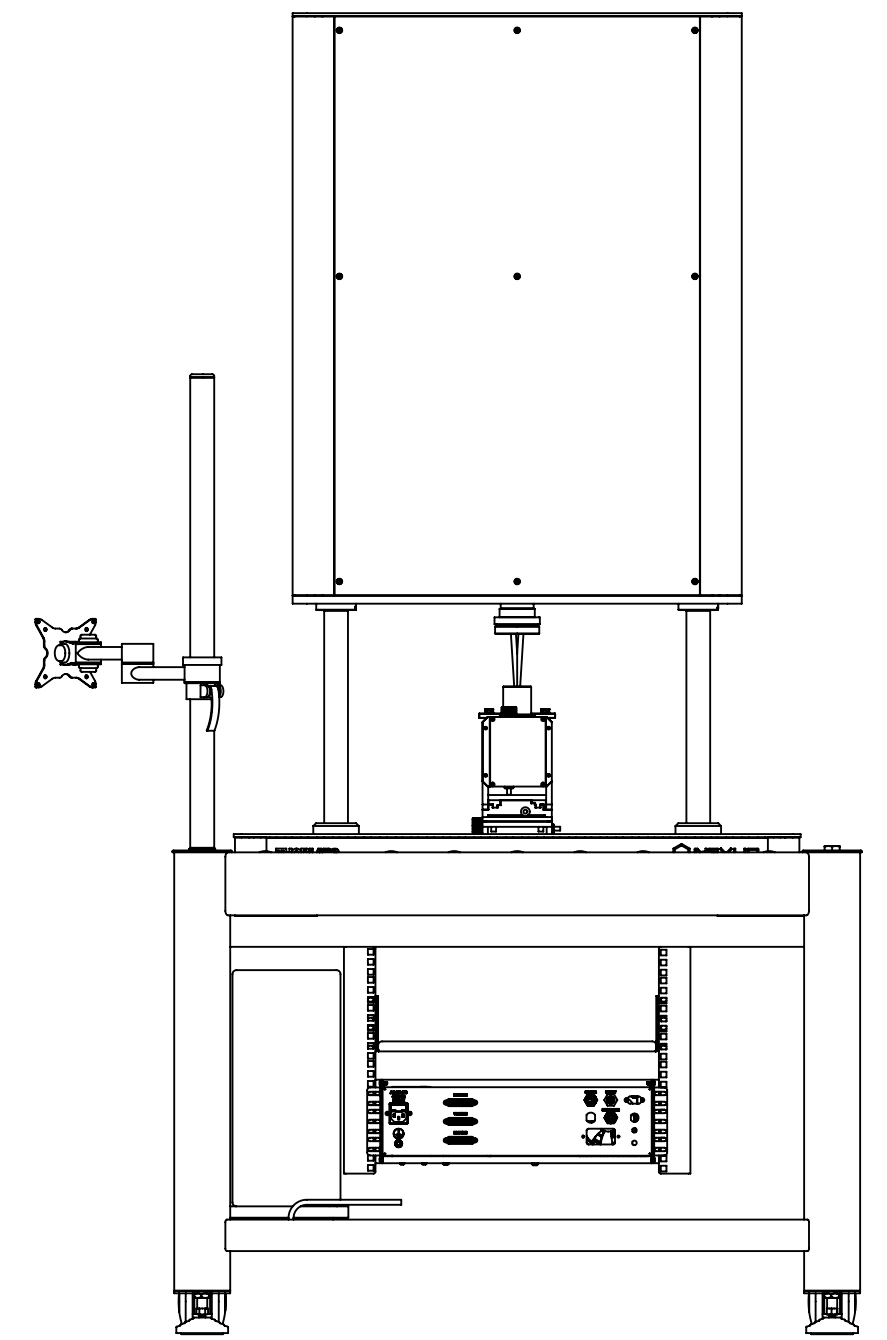
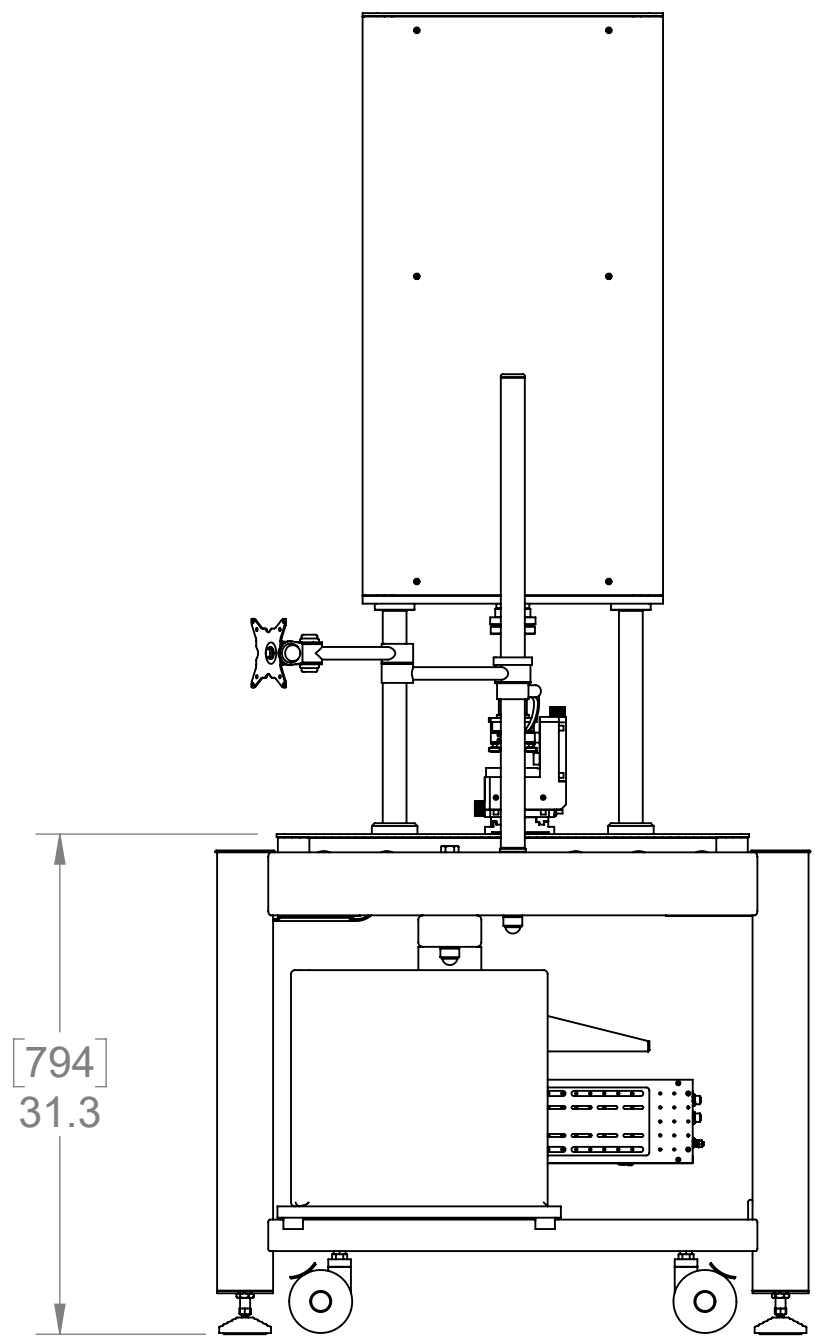
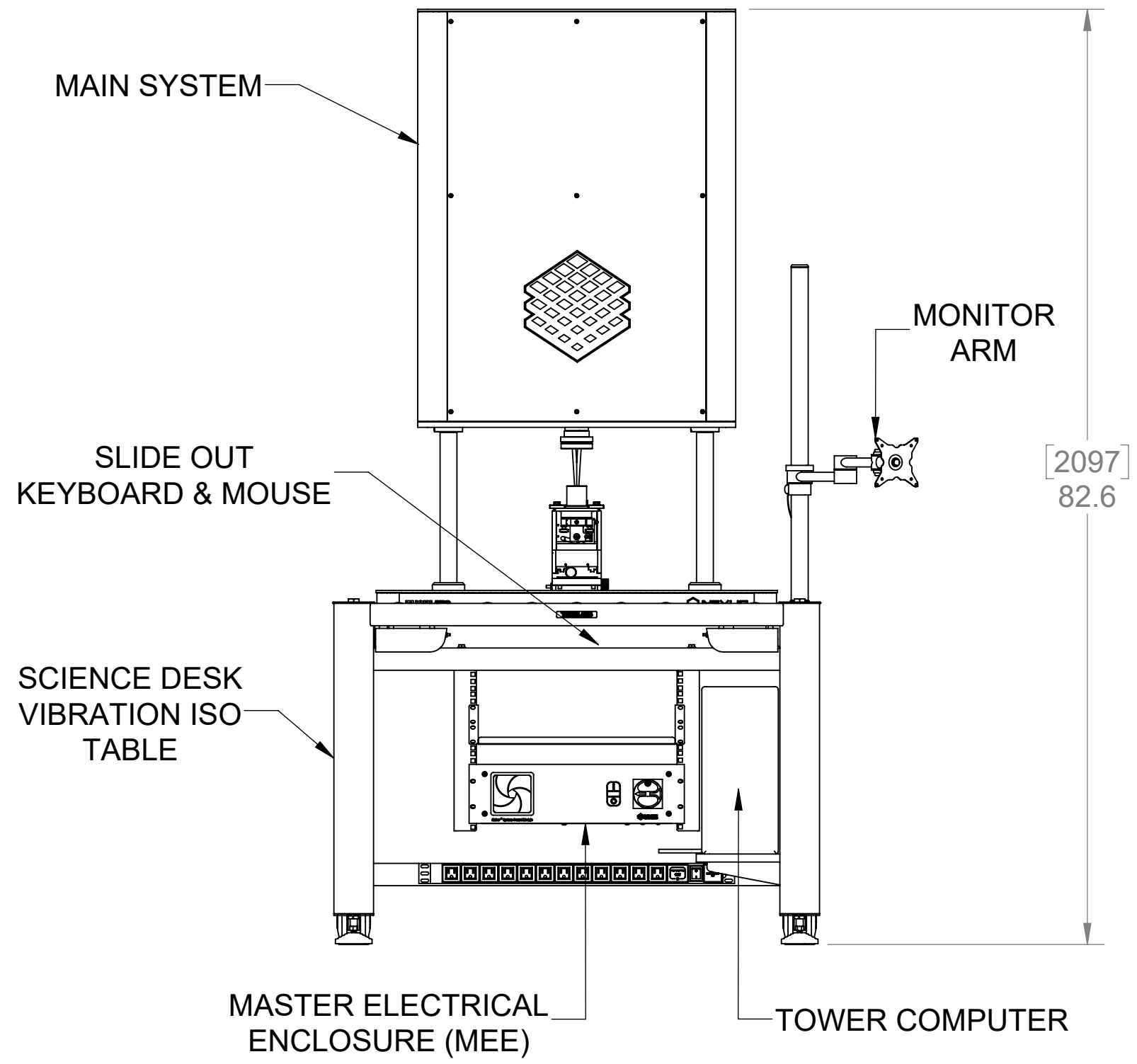
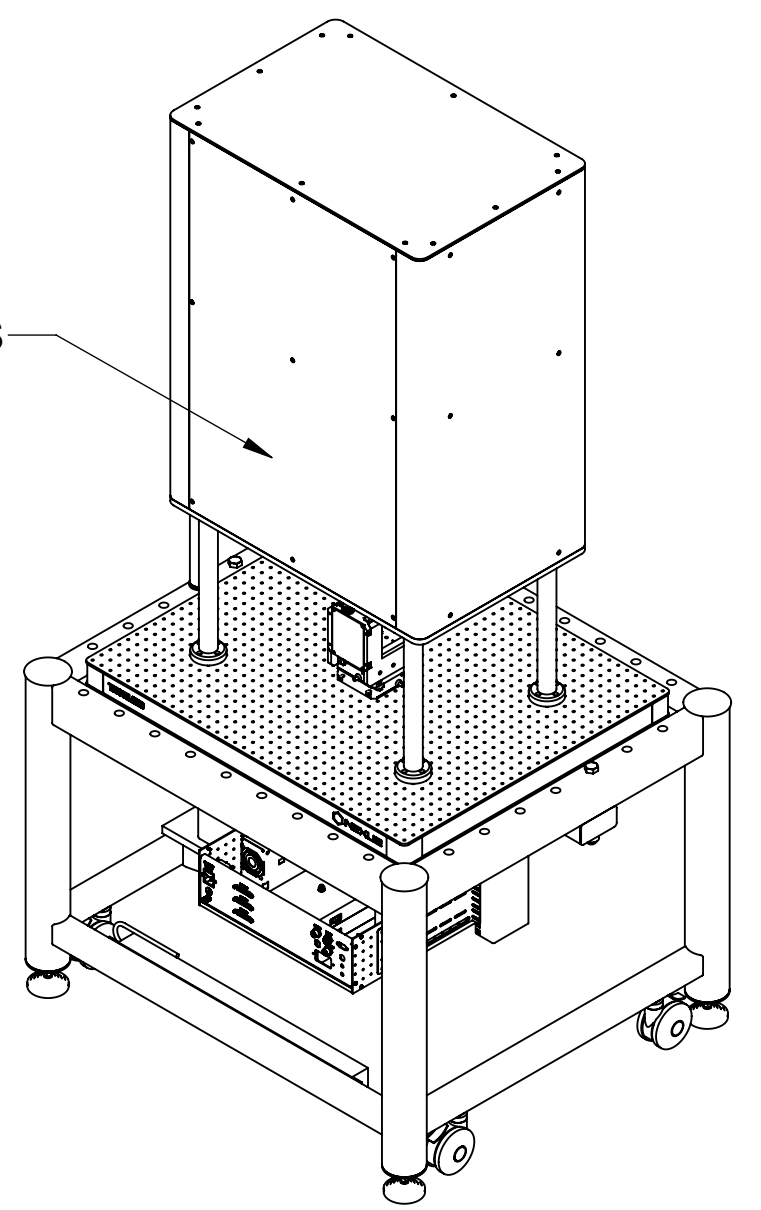


REV.	DESCRIPTION	BY	DATE
0	INITIAL CONTROL.	cmansfield	3/6/2020
1	REMOVED SAMPLE CHAMBER.	cmansfield	4/20/2020



NO ACCESS



DIMENSION: INCHES[mm]

UNSPECIFIED LIMITS DIMENSIONS ARE IN INCHES		DO NOT SCALE DRAWING		Hinds Instruments, Inc. <small>7245 1st Engineering Trwy, Suite 150          Hayward, CA 94724          PHONE (510) 490-2000 FAX (510) 490-3000</small>	
FRACTIONS ± 1/32	STRAIGHTNESS &/OR FLATNESS: .005/INCH	DATE PRINTED:	APPROVALS		
DECIMALS .XX ± 0.10	THREADS: EXTERNAL - CLASS 2A	DRAWN: cmansfield	3/6/2020	CHECKED	
HOLE DIA'S .XX ± 0.10	INTERNAL - CLASS 2B	MATERIAL		SIZE C	
.XXX ± .001	UNMARKED ANGLES, BENDS & INTERSECTIONS: 90°	FINISH		FSCM NO. DWG. NO. 03062020-DC	
ANGLES ± 0° 30'	MACHINED SURFACES: 63 OR BETTER	SCALE 1:12		REV. 1	
BENDS ± 2°	REMOVE ALL BURRS & SHARP CORNERS	RELEASE DATE:		SHEET 1 OF 2	
PERPENDICULARITY .003/INCH					
CONCENTRICITY .003 TR					
SAMPLES MUST BE APPROVED BY ENGINEERING DEPARTMENT PRIOR TO STARTING PRODUCTION					
THIS DRAWING IS THE PROPERTY OF HINDS INSTRUMENTS INC. ALL RIGHTS RESERVED.					