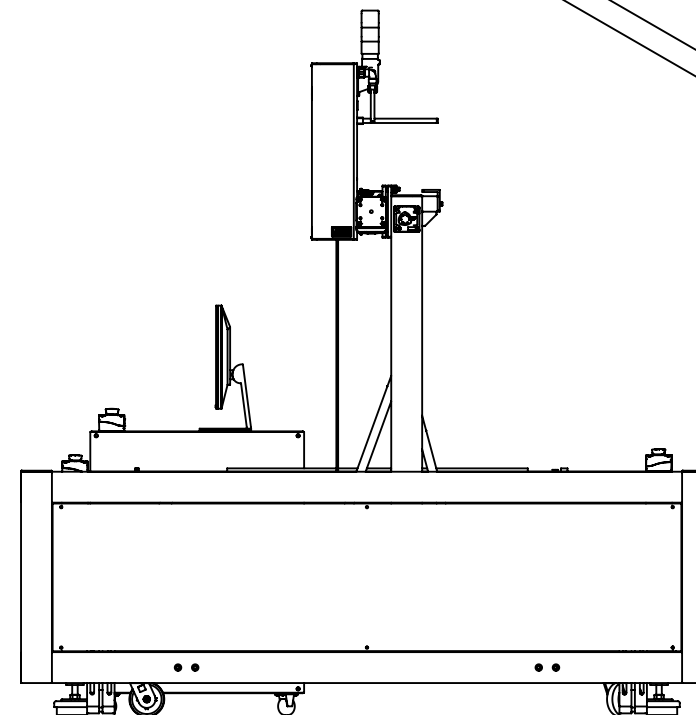
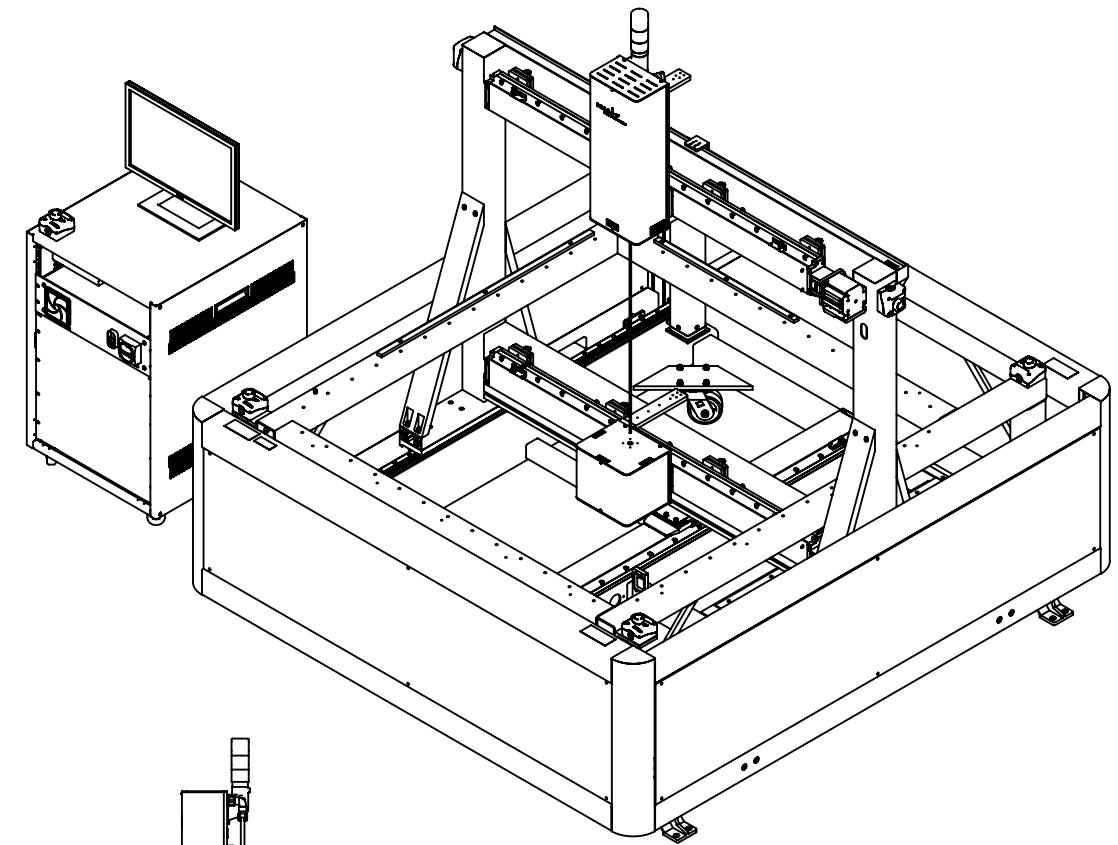
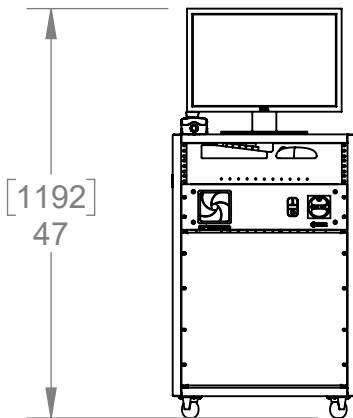
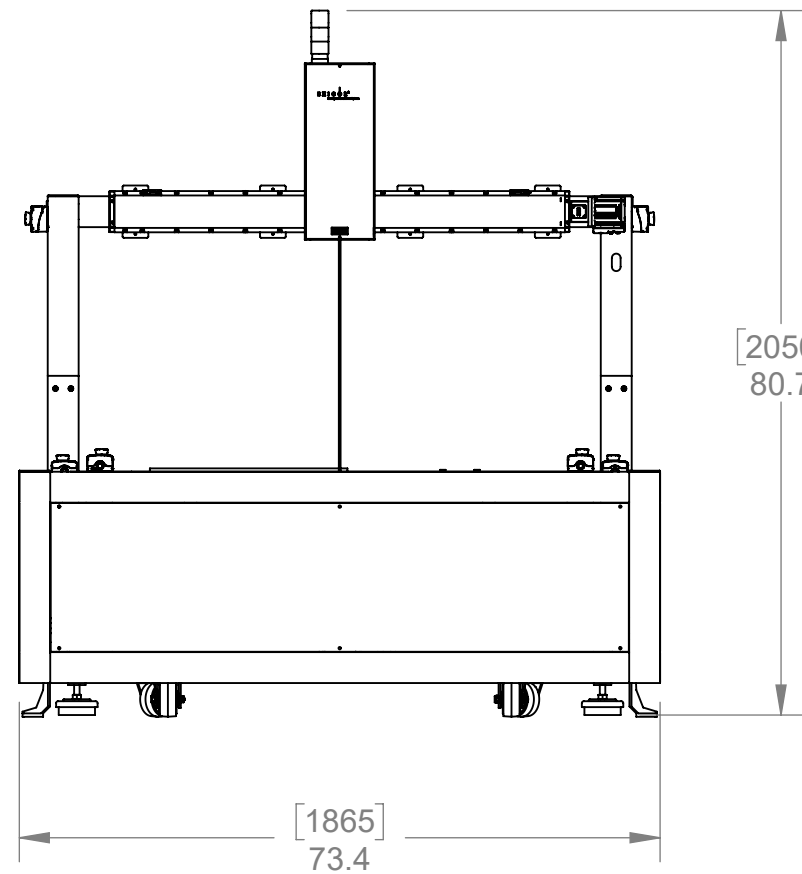
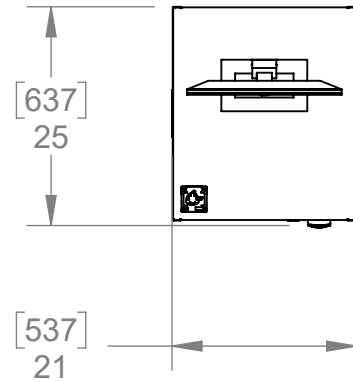
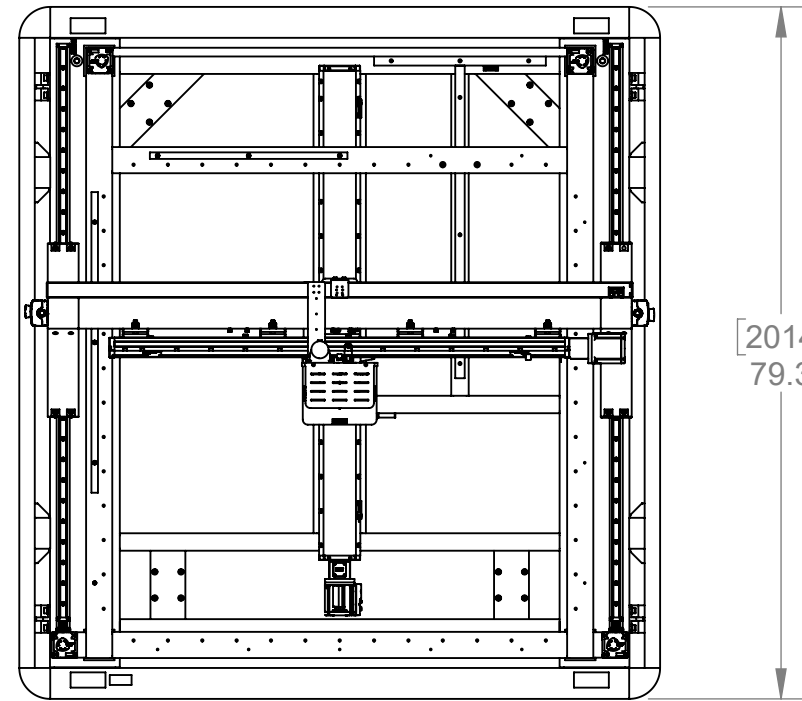



REV.	DESCRIPTION	BY	DATE
0	INITIAL CONTROL.	cmansfield	3/13/2024

# Excior 1000HD:

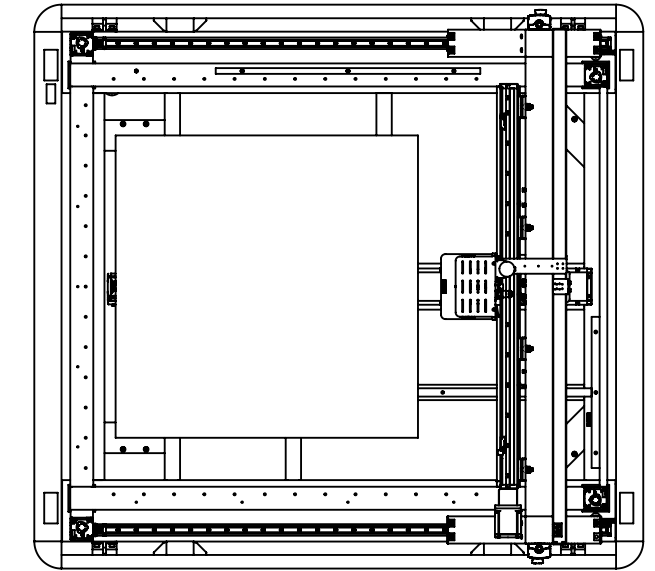
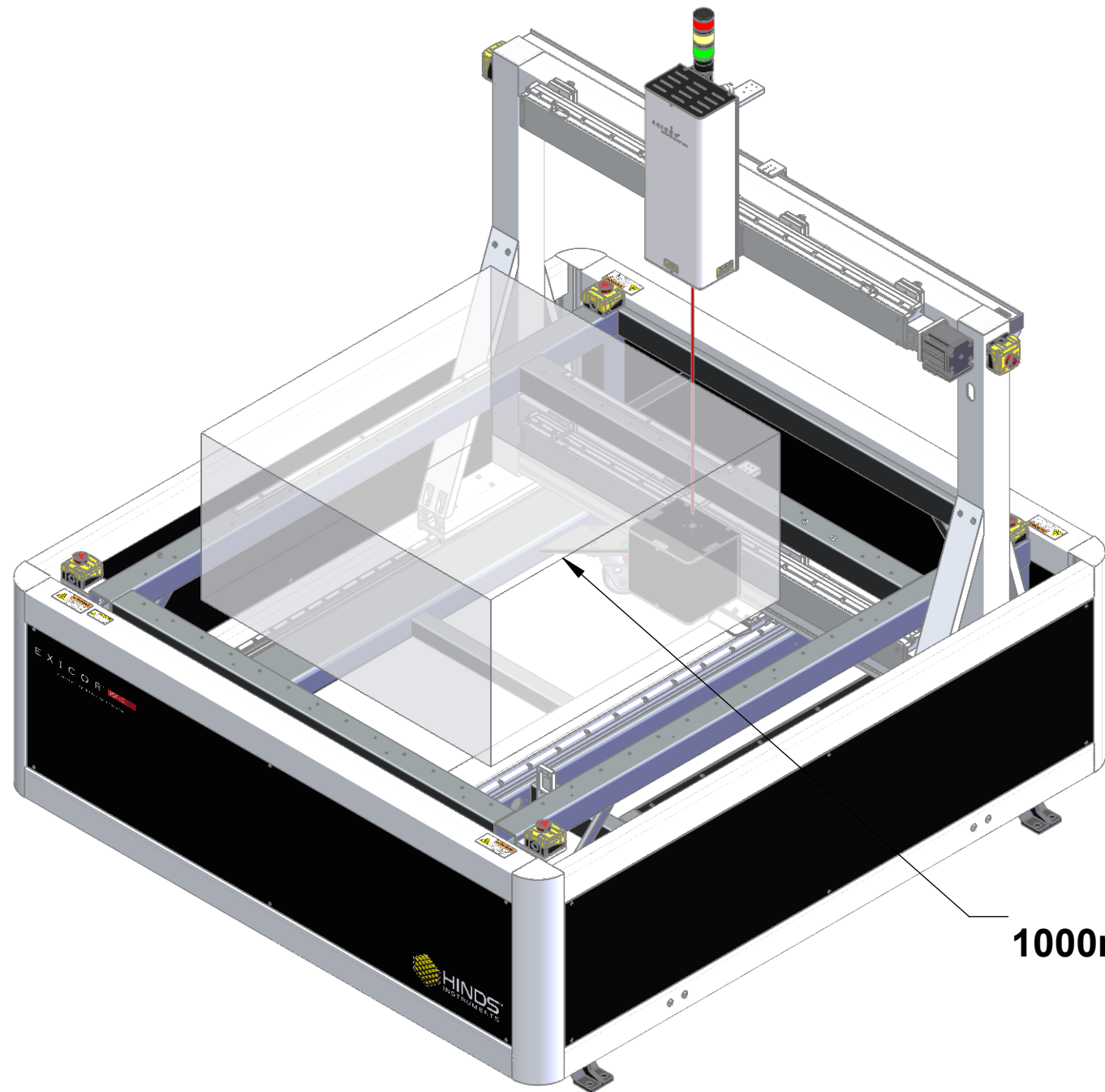


Dimensions: inch[mm]

UNSPECIFIED LIMITS DIMENSIONS ARE IN INCHES		DO NOT SCALE DRAWING		 <b>HINDS</b> Instruments, Inc. <small>7245 NE Evergreen Pkwy, Suite 150  Hillsboro, OR 97124  PHONE (503) 690-2000 FAX (503) 690-3000</small>
FRACTIONS	± 1/32	STRAIGHTNESS &/OR FLATNESS: .005/INCH	DATE PRINTED:	
DECIMALS	.XX ± .010 .XXX ± .005	THREADS: EXTERNAL - CLASS 2A INTERNAL - CLASS 2B	APPROVALS	DATE
HOLE DIA's	.XX ± .010 .XXX ± .003 .XXX ± .001	UNMARKED ANGLES, BENDS & INTERSECTIONS: 90°	<b>cmansfield</b>	3/13/24
ANGLES	± 0° 30'	MACHINED SURFACES: 63 OR BETTER	CHECKED	
BENDS	± 2°	REMOVE ALL BURRS & SHARP CORNERS	MATERIAL	
PERPENDICULARITY	.003/INCH		FINISH	
CONCENTRICITY	.003 TIR			
SAMPLES MUST BE APPROVED BY ENGINEERING DEPARTMENT PRIOR TO STARTING PRODUCTION				SIZE <b>B</b> FSCM NO. DWG. NO. <b>010-0000-125</b> REV. <b>0</b>
THIS DRAWING IS THE PROPERTY OF HINDS INSTRUMENTS INC. ALL RIGHTS RESERVED.				SCALE <b>1:22</b> RELEASE DATE: SHEET 1 OF 2

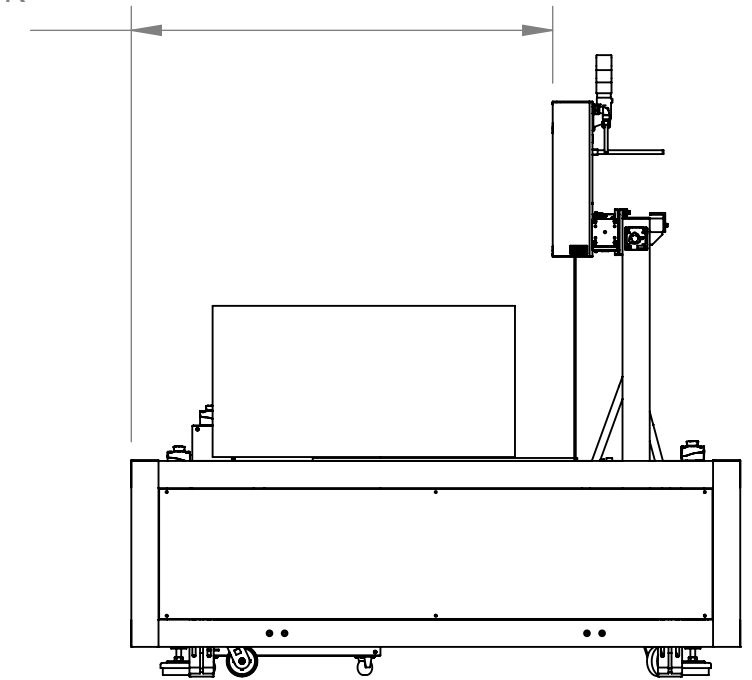
REV.	DESCRIPTION	BY	DATE
-	See Sheet1	-	-

# Excior 1000HD: Gantry Max Back Loading Position




MAXIMUM GANTRY BACK

1394  
54.9



**Max Sample Size**  
**1000mm x 1000mm x 500mm**

**CONFIDENTIAL**

UNSPECIFIED LIMITS DIMENSIONS ARE IN INCHES		DO NOT SCALE DRAWING		 <b>HINDS</b> Instruments, Inc. <small>7245 NE Evergreen Pkwy, Suite 150 Hillsboro, OR 97124 PHONE (503) 690-2000 FAX (503) 690-3000</small>		
FRACTIONS ± 1/32	STRAIGHTNESS &/OR FLATNESS: .005/INCH	DATE PRINTED:		<p style="text-align: center;"><b>Excior 1000HD</b></p>		
DECIMALS .XX ± .010 .XXX ± .005	THREADS: EXTERNAL - CLASS 2A INTERNAL - CLASS 2B	APPROVALS				DATE
HOLE DIA's .XX ± .010 .XXX ± .003	UNMARKED ANGLES, BENDS & INTERSECTIONS: 90°	DRAWN				3/13/24
ANGLES ± 0° 30'	MACHINED SURFACES: 63 OR BETTER	CHECKED				
BENDS ± 2°	REMOVE ALL BURRS & SHARP CORNERS	MATERIAL		SIZE <b>B</b> FSCM NO. DWG. NO. 010-0000-125 REV. 0		
PERPENDICULARITY .003/INCH		FINISH		SCALE 1:25 RELEASE DATE: SHEET 2 OF 2		
CONCENTRICITY .003 TIR		SAMPLES MUST BE APPROVED BY ENGINEERING DEPARTMENT PRIOR TO STARTING PRODUCTION				
THIS DRAWING IS THE PROPERTY OF HINDS INSTRUMENTS INC. ALL RIGHTS RESERVED.						