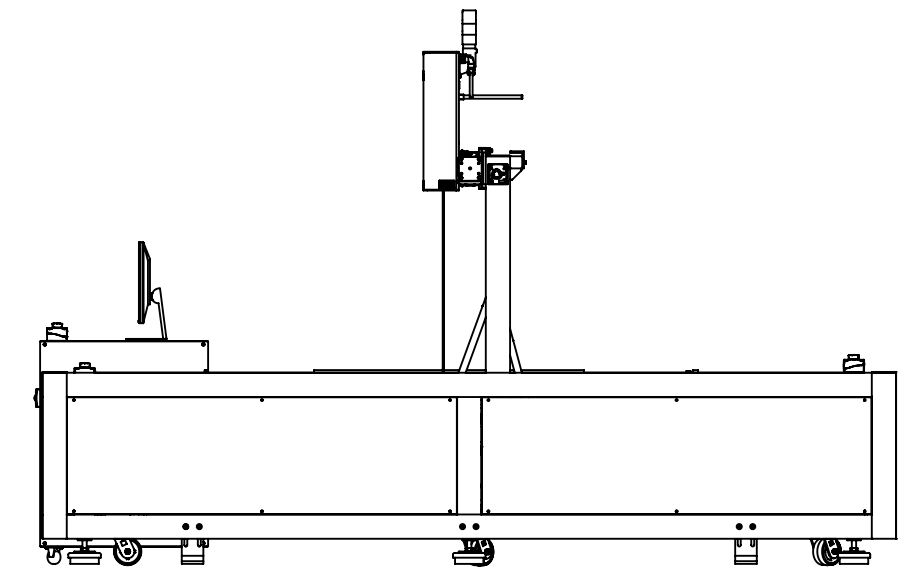
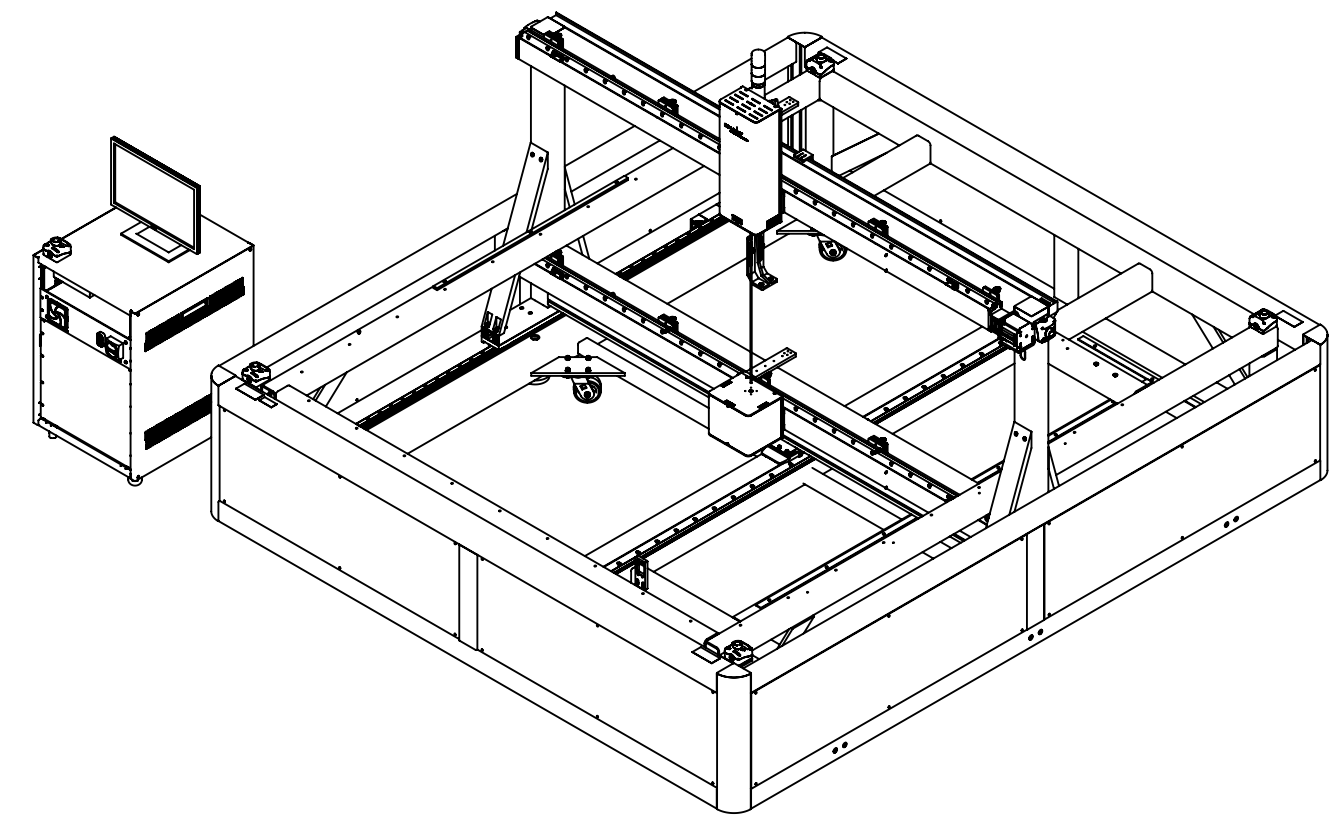
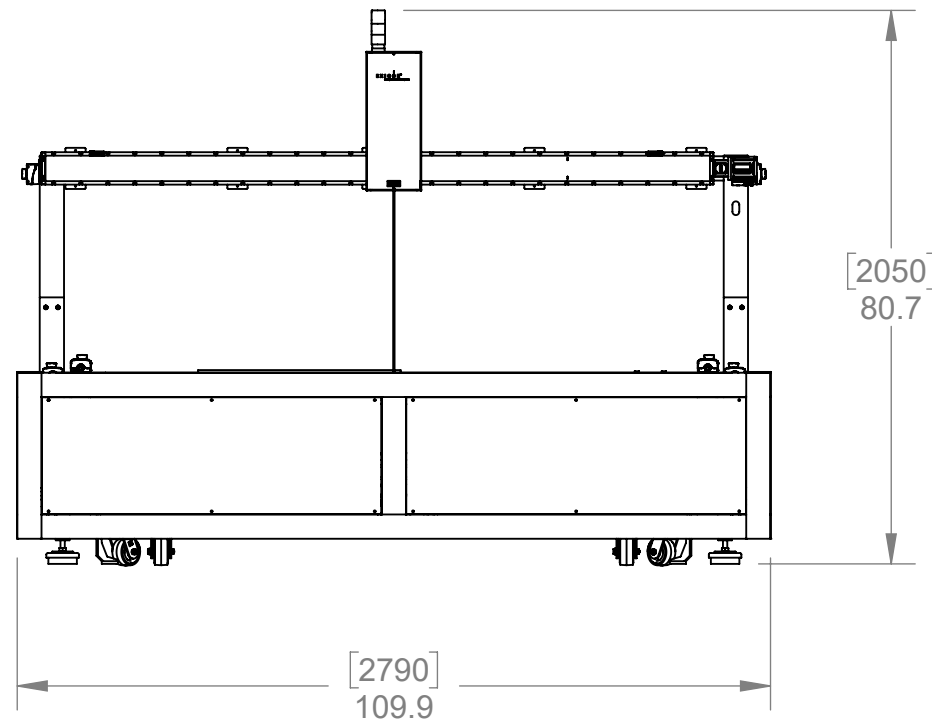
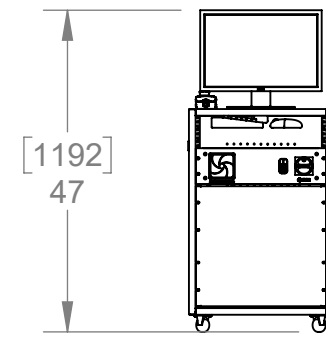
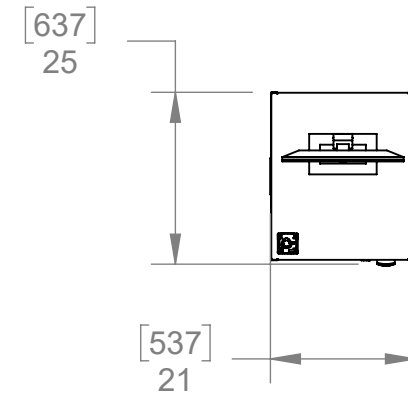
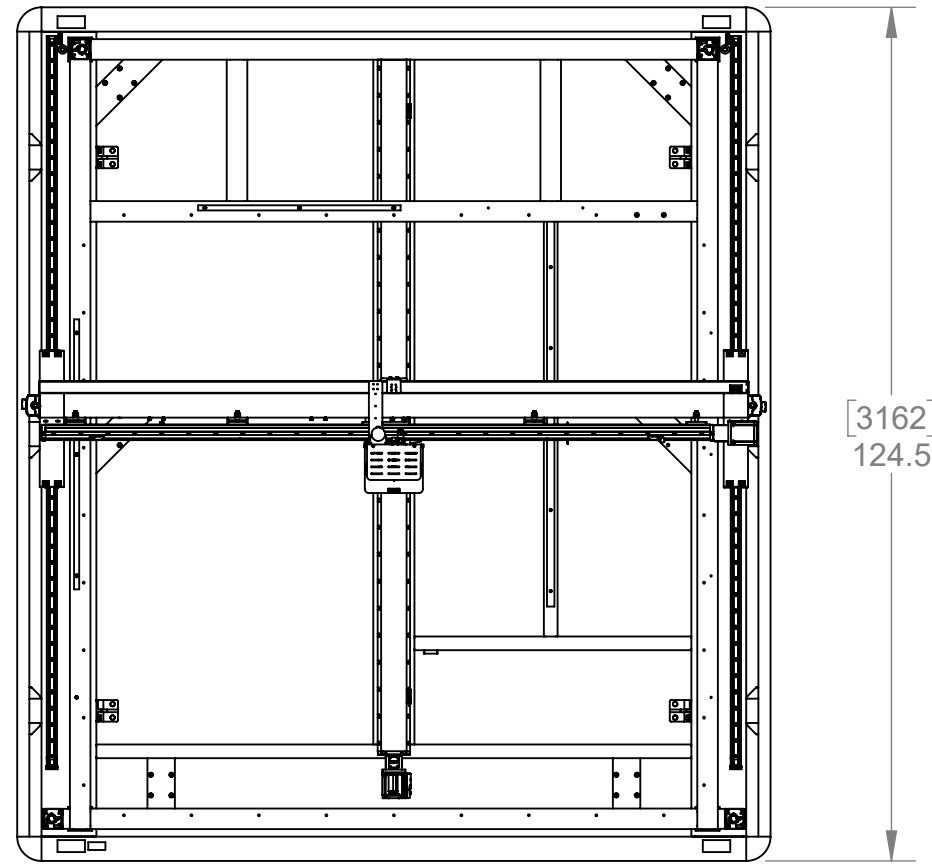


# Exicor 2000HD:



REV.	DESCRIPTION	BY	DATE
0	INITIAL CONTROL.	cmansfield	4/12/2024

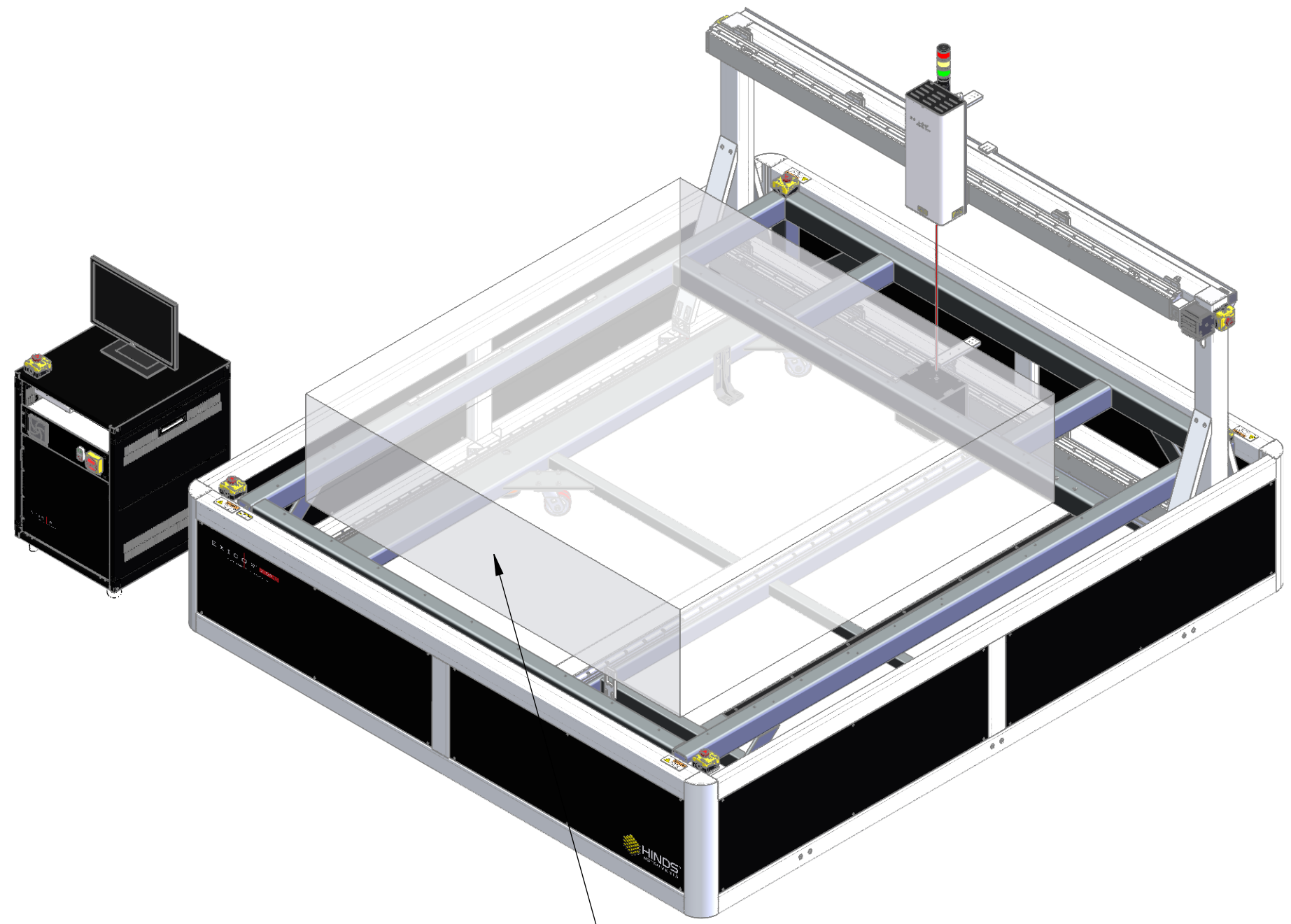
Dimensions: inch[mm]

UNSPECIFIED LIMITS DIMENSIONS ARE IN INCHES		DO NOT SCALE DRAWING		<b>HINDS</b> Instruments, Inc. <small>7245 NE Evergreen Pkwy, Suite 150          Hillsboro, OR 97124          PHONE (503) 690-2000 FAX (503) 690-3000</small>
FRACTIONS	± 1/32	STRAIGHTNESS &/OR FLATNESS: .005/INCH	DATE PRINTED:	
DECIMALS	.XX ± .010 .XXX ± .005	THREADS: EXTERNAL - CLASS 2A INTERNAL - CLASS 2B	APPROVALS	DATE
HOLE DIA's	.XX ± .010 .XXX ± .003 .XXX ± .001	UNMARKED ANGLES, BENDS & INTERSECTIONS: 90°	<b>cmansfield</b>	4/12/24
ANGLES	± 0° 30'	MACHINED SURFACES: 63 OR BETTER	CHECKED	
BENDS	± 2°	REMOVE ALL BURRS & SHARP CORNERS	MATERIAL	
PERPENDICULARITY	.003/INCH		FINISH	
CONCENTRICITY	.003 TIR			
SAMPLES MUST BE APPROVED BY ENGINEERING DEPARTMENT PRIOR TO STARTING PRODUCTION		MATERIAL		SIZE
THIS DRAWING IS THE PROPERTY OF HINDS INSTRUMENTS INC. ALL RIGHTS RESERVED.		FINISH		FSCM NO.
				DWG. NO.
				010-0000-128
				REV.
				0
				SCALE
				1:28
				RELEASE DATE:
				SHEET 1 OF 2

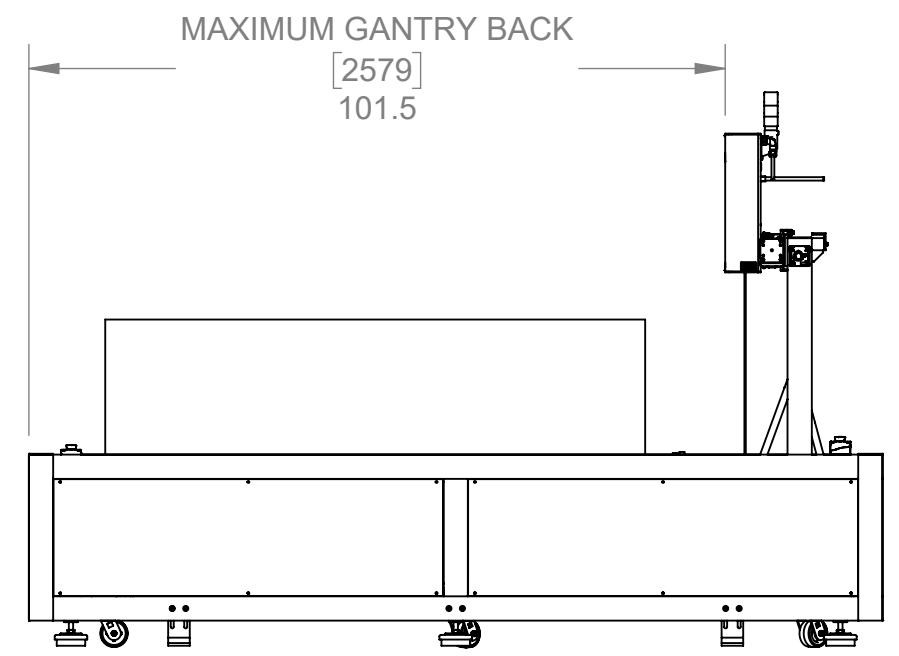
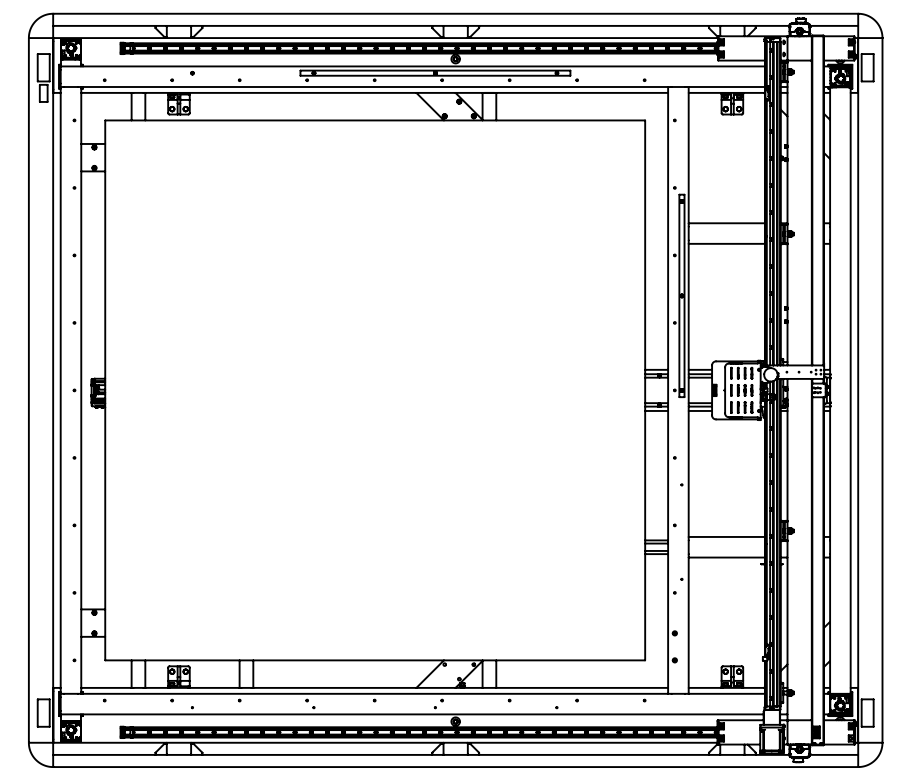
8 7 6 5 4

REV.	DESCRIPTION	BY	DATE
-	See Sheet1	-	-

# Exicor 2000HD: Gantry Max Back Loading Position



**Max Sample Size**  
2000mm x 2000mm x 500mm



8 7 6 5 4

UNSPECIFIED LIMITS DIMENSIONS ARE IN INCHES		DO NOT SCALE DRAWING		<b>HINDS</b> Instruments, Inc. <small>7245 NE Evergreen Pkwy, Suite 150          Hillsboro, OR 97124          PHONE (503) 690-2000 FAX (503) 690-3000</small>
FRACTIONS	± 1/32	STRAIGHTNESS &/OR FLATNESS:	.005/INCH	
DECIMALS	.XX ± .010 .XXX ± .005	THREADS:	EXTERNAL - CLASS 2A INTERNAL - CLASS 2B	
HOLE DIA's	.XX ± .010 .XXX ± .003 ± 0° 30'	UNMARKED ANGLES, BENDS & INTERSECTIONS:	90°	
ANGLES	± 2°	MACHINED SURFACES:	63 OR BETTER	
BENDS	± 2°	REMOVE ALL BURRS & SHARP CORNERS		
PERPENDICULARITY	.003/INCH			
CONCENTRICITY	.003 TIR			
SAMPLES MUST BE APPROVED BY ENGINEERING DEPARTMENT PRIOR TO STARTING PRODUCTION		MATERIAL		DATE PRINTED: APPROVALS: <b>cmansfield</b> DATE: 4/12/24 CHECKED:
THIS DRAWING IS THE PROPERTY OF HINDS INSTRUMENTS INC. ALL RIGHTS RESERVED.		FINISH		<b>Exicor 2000HD</b> SIZE: B FSCM NO.: DWG. NO.: 010-0000-128 REV.: 0 SCALE: 1:28 RELEASE DATE: SHEET 2 OF 2