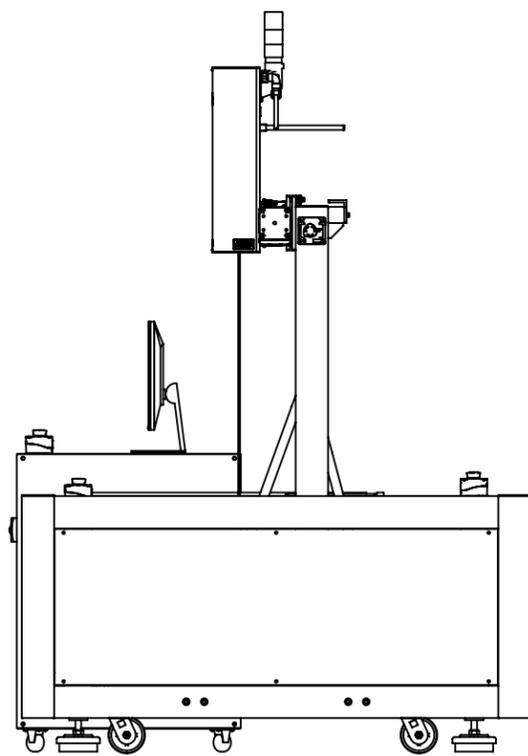
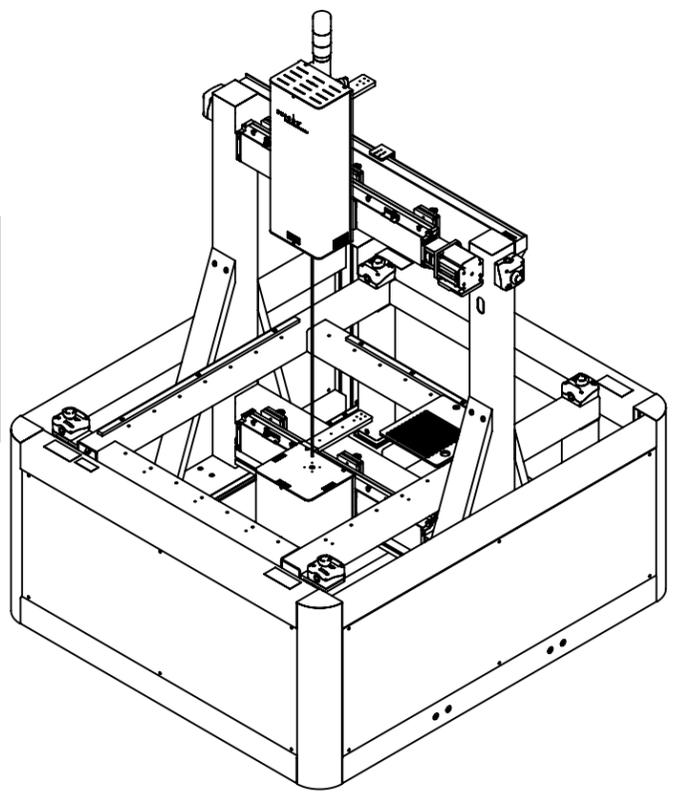
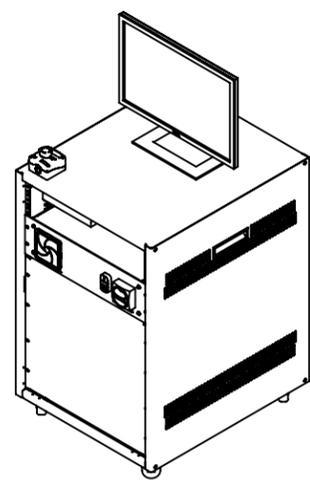
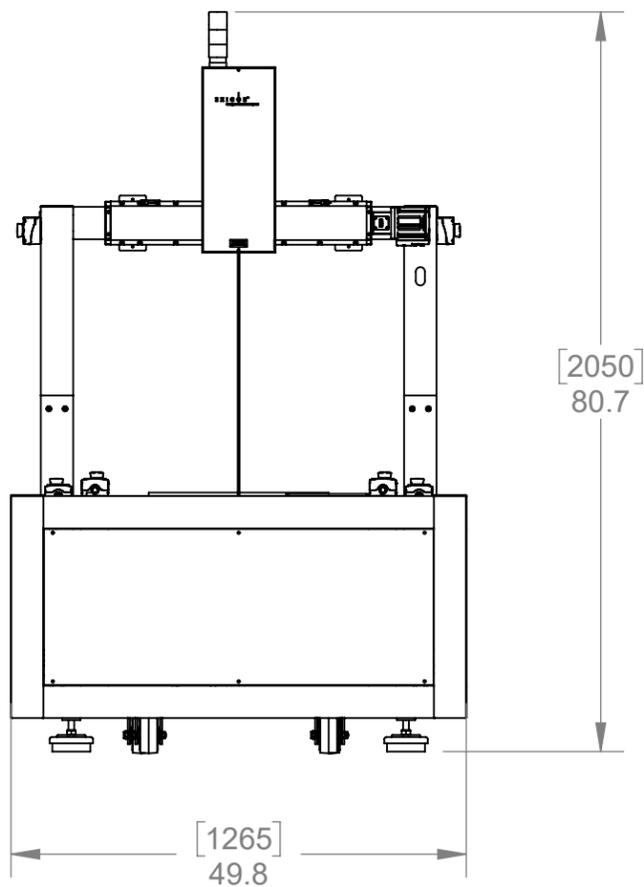
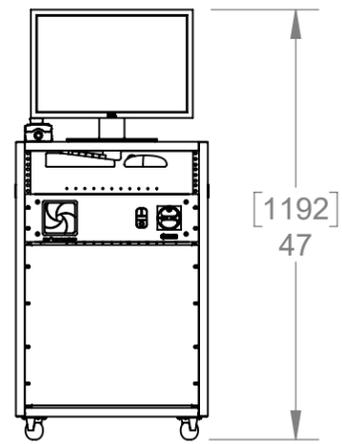
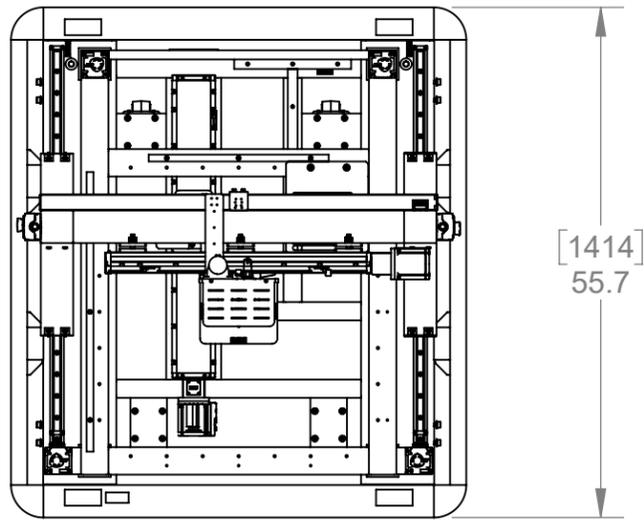
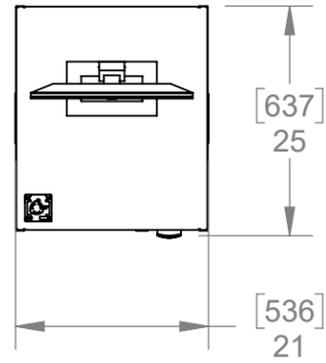


Exicor 400HD:



REV.	DESCRIPTION	BY	DATE
0	INITIAL CONTROL.	cmansfield	4/4/2024

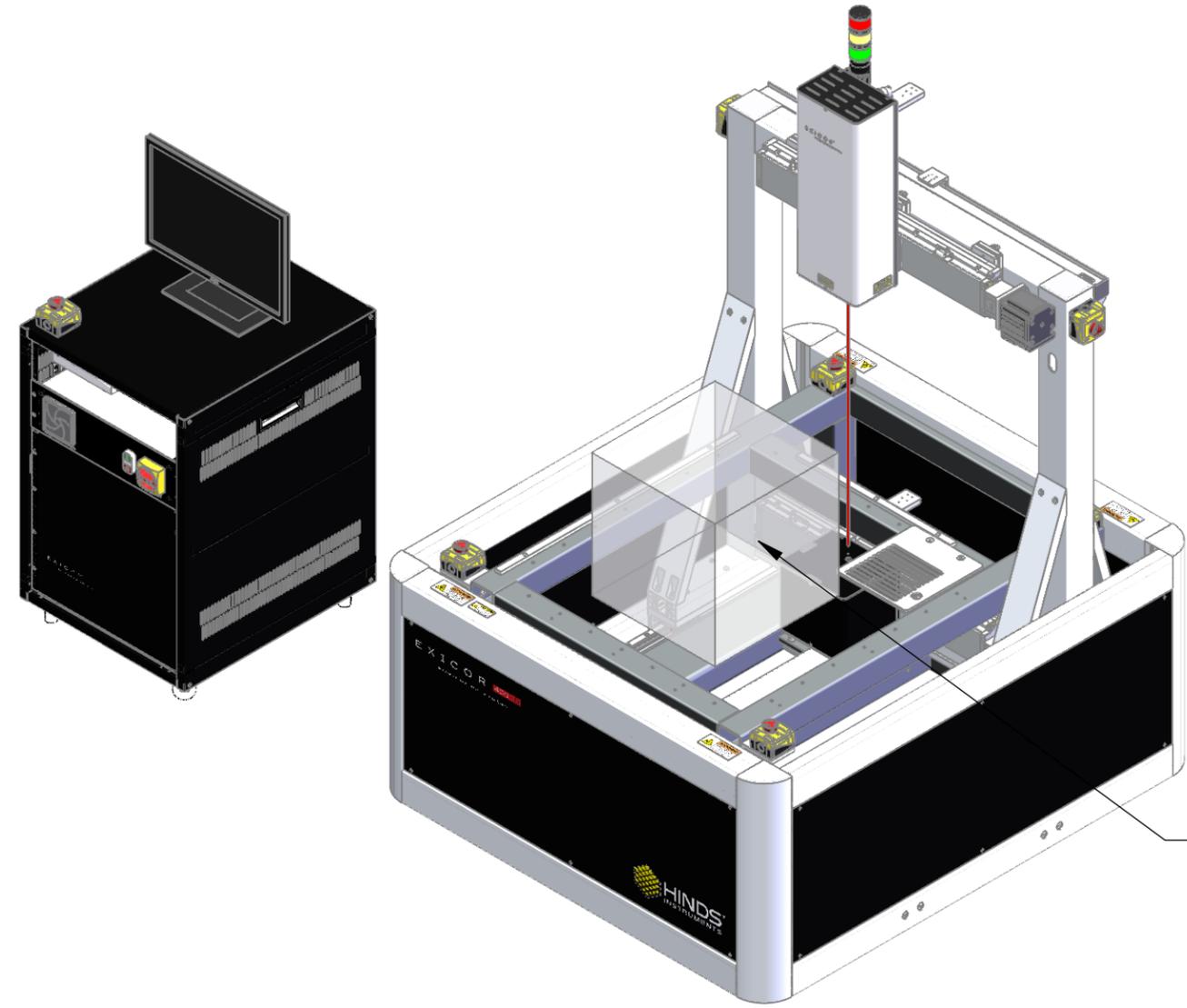
Dimensions: inch[mm]

UNSPECIFIED LIMITS DIMENSIONS ARE IN INCHES		DO NOT SCALE DRAWING		HINDS Instruments, Inc. <small>7245 NE Evergreen Pkwy, Suite 150 Hillsboro, OR 97124 PHONE (503) 690-2000 FAX (503) 690-3000</small>
FRACTIONS ± 1/32	STRAIGHTNESS &/OR FLATNESS: .005/INCH	DATE PRINTED:		
DECIMALS .XX ± .010 .XXX ± .005	THREADS: EXTERNAL - CLASS 2A INTERNAL - CLASS 2B	APPROVALS	DATE	
HOLE DIA's .XX ± .010 .XXX ± .003	UNMARKED ANGLES, BENDS & INTERSECTIONS: 90°	DRAWN cmansfield	4/4/24	
ANGLES ± 2°	MACHINED SURFACES: 63 OR BETTER	CHECKED		
BENDS ± 2°	REMOVE ALL BURRS & SHARP CORNERS	MATERIAL		
PERPENDICULARITY .003/INCH		FINISH		
CONCENTRICITY .003 TIR				
SAMPLES MUST BE APPROVED BY ENGINEERING DEPARTMENT PRIOR TO STARTING PRODUCTION		SIZE B	FSCM NO.	DWG. NO. 010-0000-126
THIS DRAWING IS THE PROPERTY OF HINDS INSTRUMENTS INC. ALL RIGHTS RESERVED.		SCALE 1:20	RELEASE DATE:	REV. 0
		SHEET 1 OF 2		

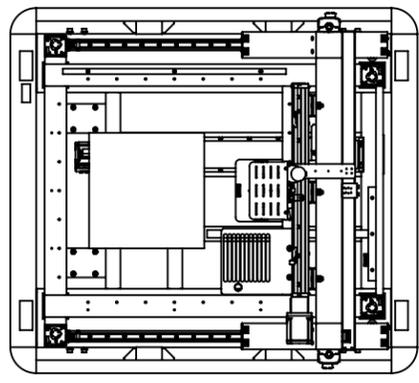
8 7 6 5 4 3 2 1

REV.	DESCRIPTION	BY	DATE
-	See Sheet1	-	-

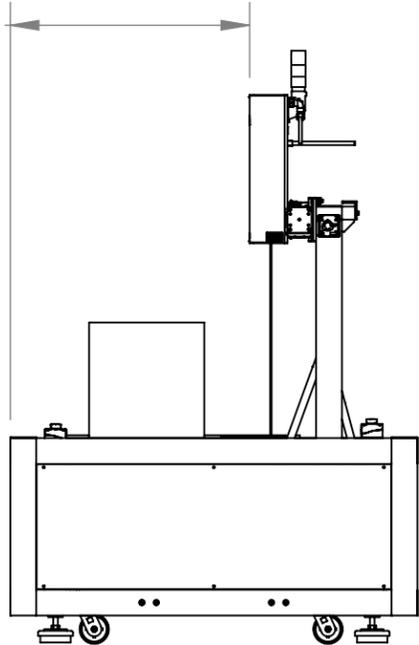
Exicor 400HD: Gantry Max Back Loading Position



**Max Sample Size
400mm x 400mm x 400mm**



MAXIMUM GANTRY BACK
831
 32.7



UNSPECIFIED LIMITS DIMENSIONS ARE IN INCHES		DO NOT SCALE DRAWING		HINDS [®] Hinds Instruments, Inc. 7245 NE Evergreen Pkwy, Suite 150 Hillsboro, OR 97124 PHONE (503) 690-2000 FAX (503) 690-3000
FRACTIONS ± 1/32 DECIMALS .XX ± .010 .XXX ± .005 HOLE DIA's .XX ± .010 .XXX ± .003 ANGLES ± 0° 30' BENDS ± 2° PERPENDICULARITY .003/INCH CONCENTRICITY .003 TIR	STRAIGHTNESS &/OR FLATNESS: .005/INCH THREADS: EXTERNAL - CLASS 2A INTERNAL - CLASS 2B UNMARKED ANGLES, BENDS & INTERSECTIONS: 90° MACHINED SURFACES: 63 OR BETTER REMOVE ALL BURRS & SHARP CORNERS	DATE PRINTED: APPROVALS DRAWN CHECKED	DATE 4/4/24	
SAMPLES MUST BE APPROVED BY ENGINEERING DEPARTMENT PRIOR TO STARTING PRODUCTION THIS DRAWING IS THE PROPERTY OF HINDS INSTRUMENTS INC. ALL RIGHTS RESERVED.		MATERIAL FINISH	SIZE B	FSCM NO. DWG. NO. 010-0000-126 SCALE 1:25 RELEASE DATE:
		REV. 0		SHEET 2 OF 2

8 7 6 5 4 3 2 1