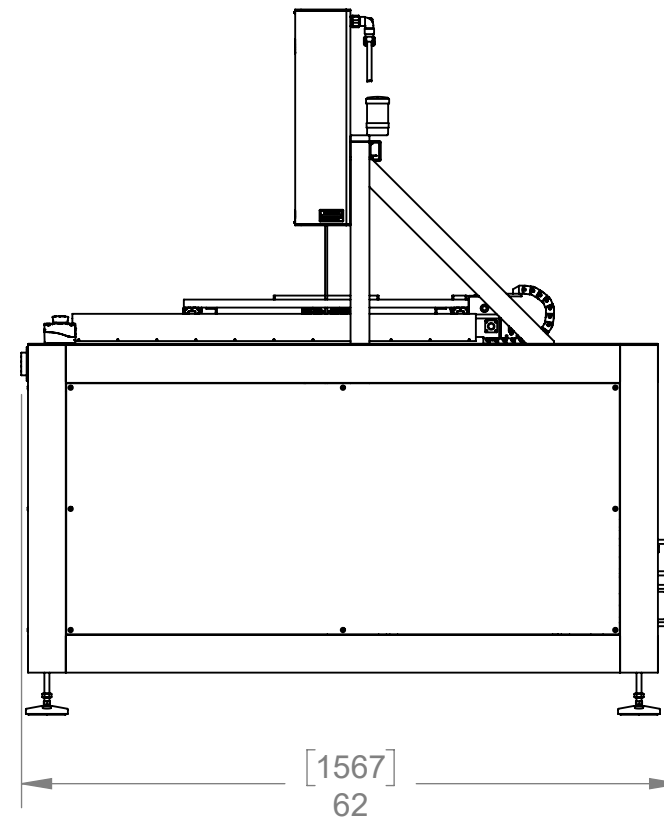
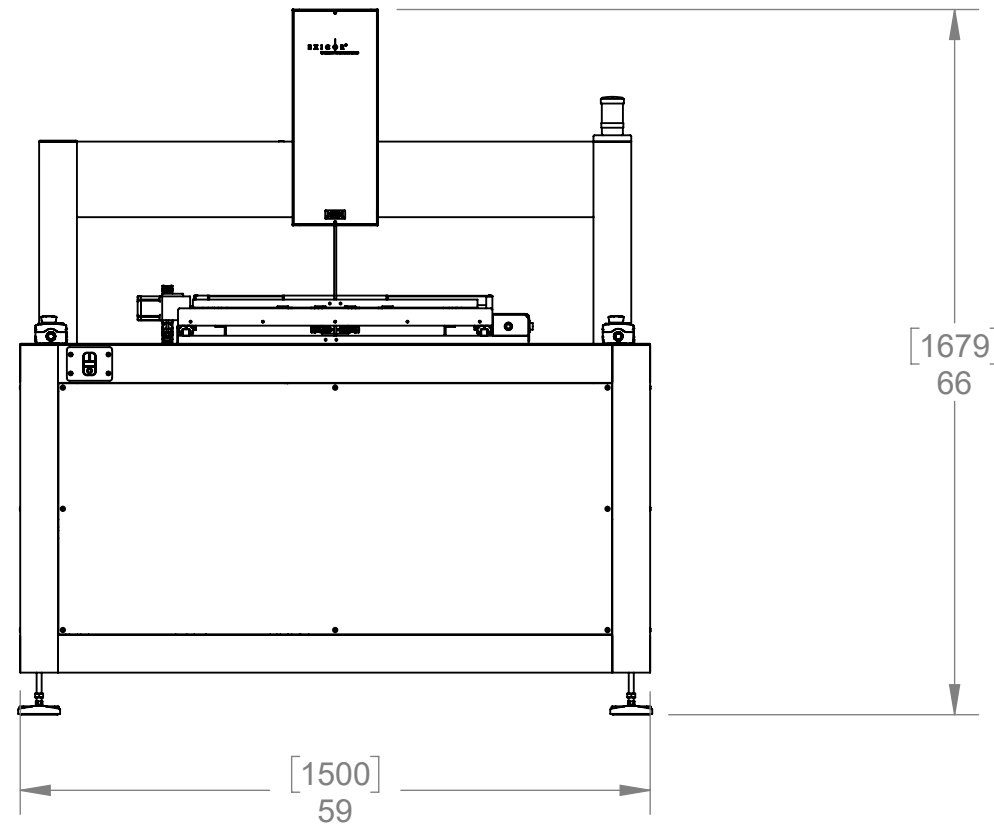
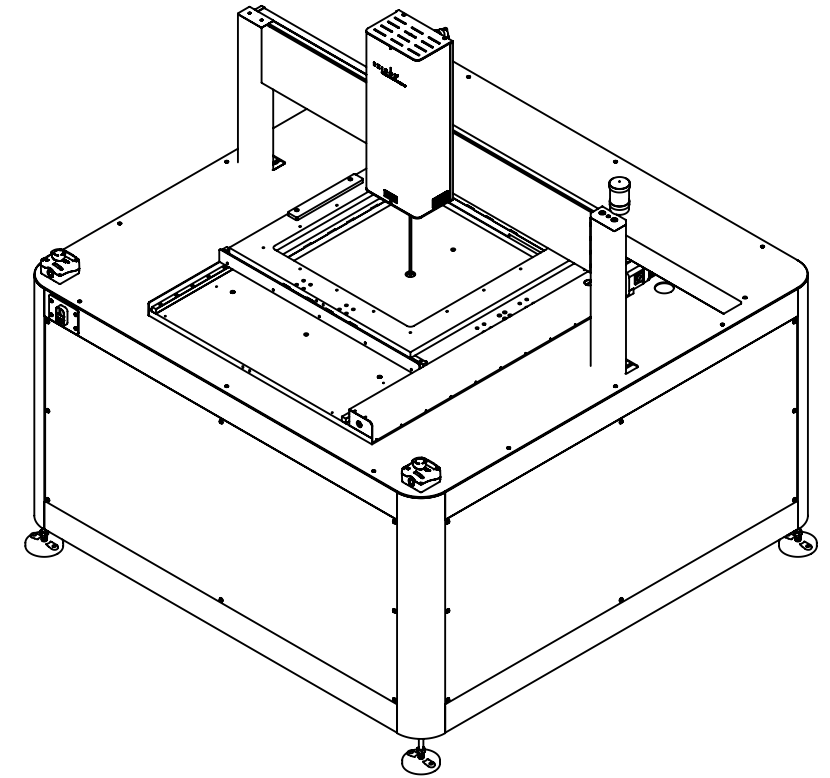
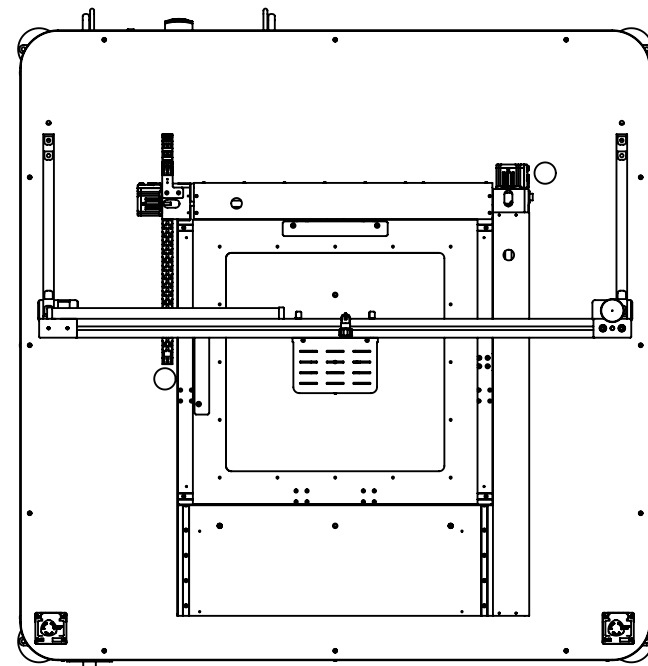




REV.	DESCRIPTION	BY	DATE
0	INITIAL CONTROL.	cmansfield	12/9/2022



UNSPECIFIED LIMITS DIMENSIONS ARE IN INCHES		DO NOT SCALE DRAWING		HINDS Instruments, Inc. <small>7245 NE Evergreen Pkwy, Suite 150 Hillsboro, OR 97124 PHONE (503) 690-2000 FAX (503) 690-3000</small>
FRACTIONS ± 1/32 DECIMALS .XX ± .010 .XXX ± .005 HOLE DIA's .XX ± .010 .XXX ± .003 .XXX ± .001 ANGLES ± 0° 30' BENDS ± 2° PERPENDICULARITY .003/INCH CONCENTRICITY .003 TIR	STRAIGHTNESS &/OR FLATNESS: .005/INCH THREADS: EXTERNAL - CLASS 2A INTERNAL - CLASS 2B UNMARKED ANGLES, BENDS & INTERSECTIONS: 90° MACHINED SURFACES: 63 OR BETTER REMOVE ALL BURRS & SHARP CORNERS	DATE PRINTED: APPROVALS DRAWN CHECKED	DATE 12/9/22 MATERIAL FINISH	
SAMPLES MUST BE APPROVED BY ENGINEERING DEPARTMENT PRIOR TO STARTING PRODUCTION THIS DRAWING IS THE PROPERTY OF HINDS INSTRUMENTS INC. ALL RIGHTS RESERVED.		SIZE B SCALE 1:18	FSCM NO. DWG. NO. 010-0000-078 - OD REV. 0 SHEET 1 OF 1	Exicor 500ATi - Overall Dimensions