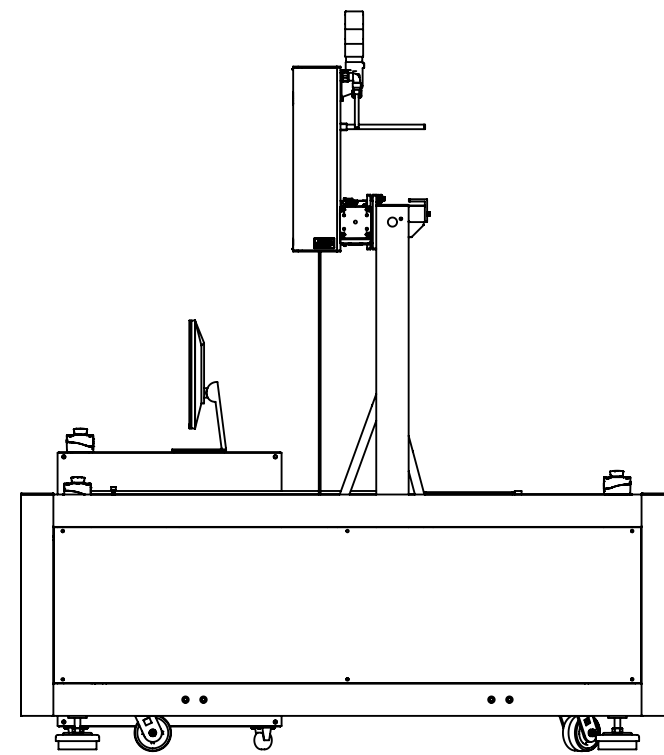
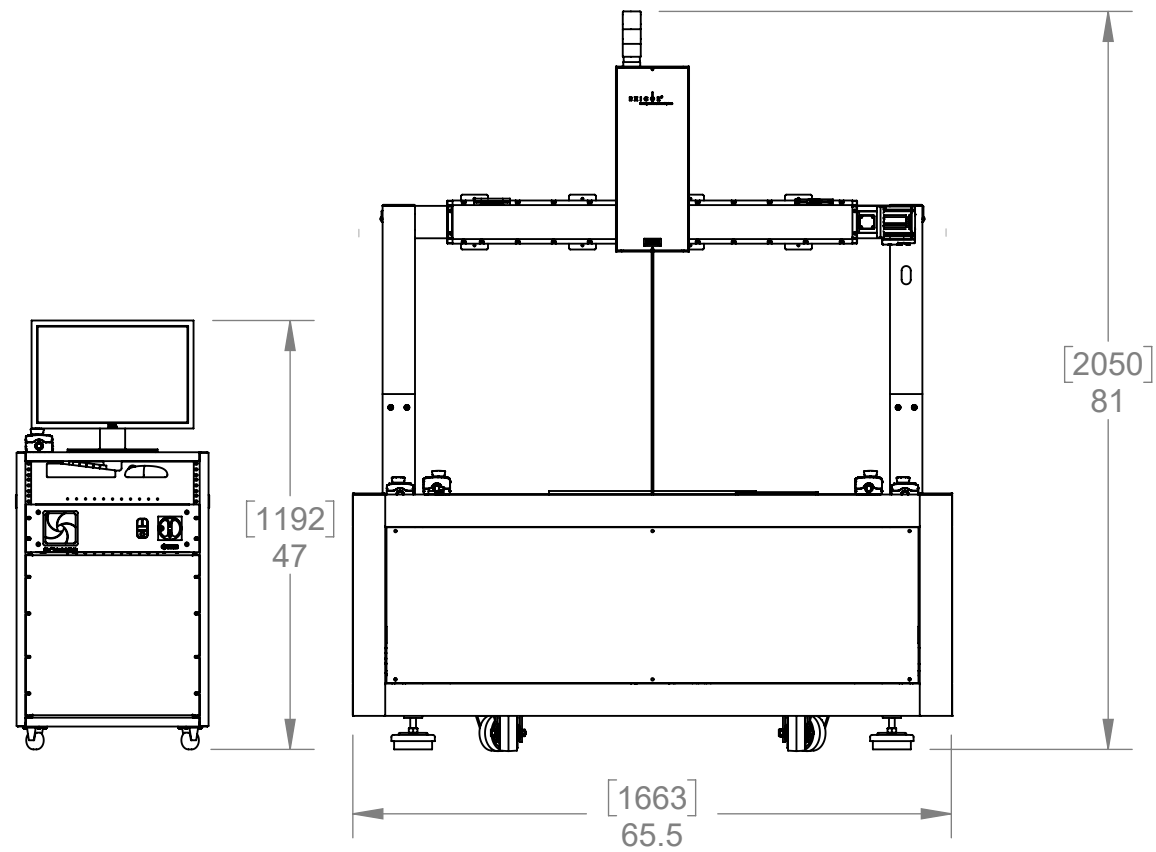
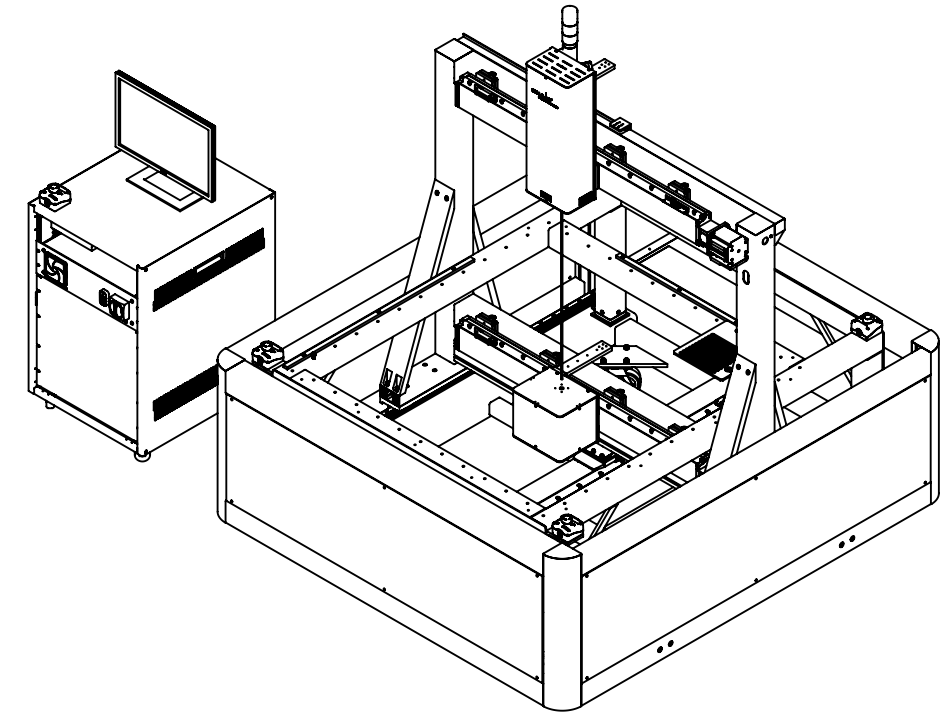
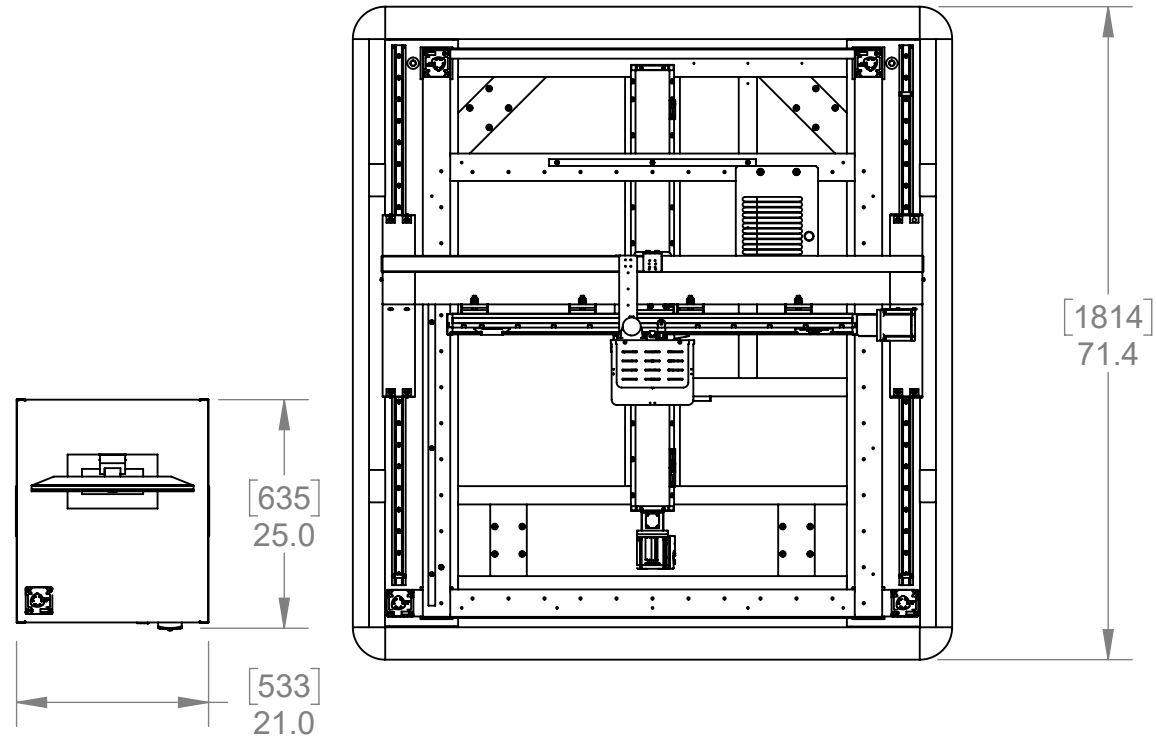




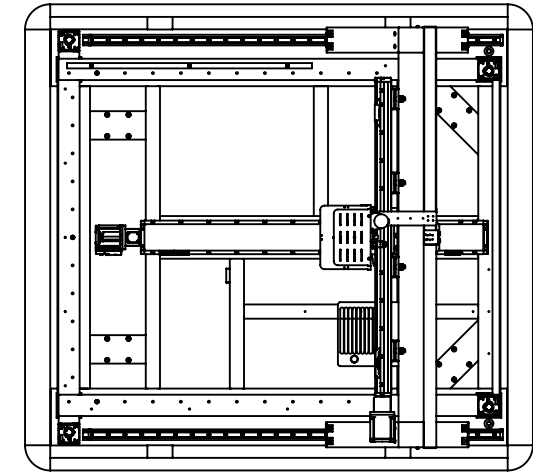
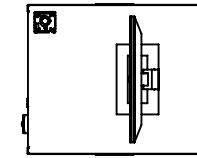
REV.	DESCRIPTION	BY	DATE
0	INITIAL CONTROL.	cmansfield	11/20/2023

## Exicor 800HD - Lower Enclosure Version

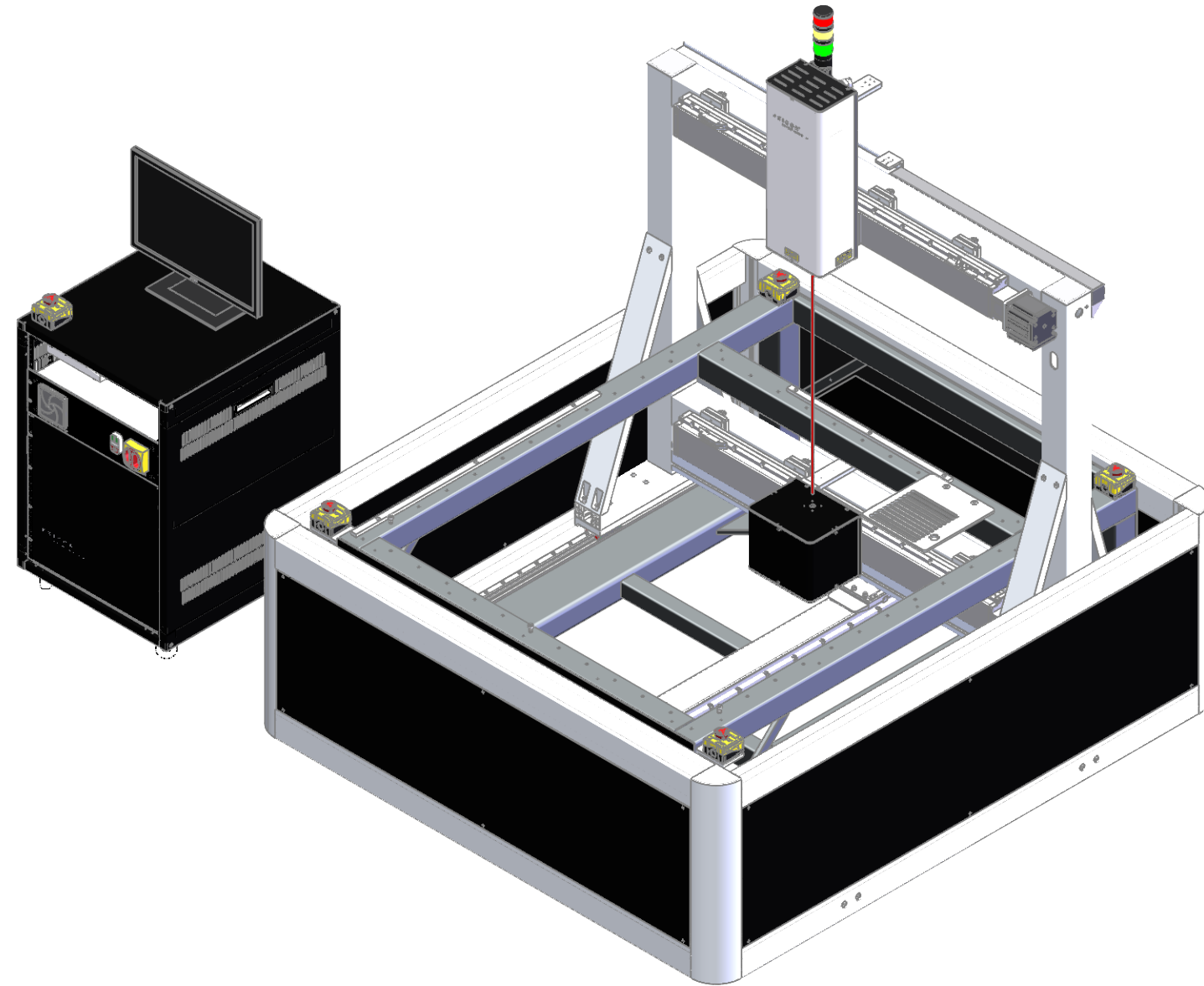
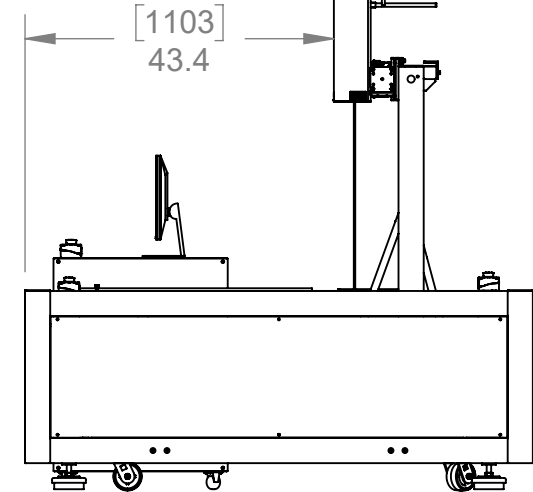


DIMENSIONS: INCH [mm]

UNSPECIFIED LIMITS DIMENSIONS ARE IN INCHES		DO NOT SCALE DRAWING		<b>HINDS</b> Instruments, Inc. <small>7245 NE Evergreen Pkwy, Suite 150          Hillsboro, OR 97124          PHONE (503) 690-2000 FAX (503) 690-3000</small>
FRACTIONS	± 1/32	STRAIGHTNESS &/OR FLATNESS:	.005/INCH	
DECIMALS	.XX ± .010 .XXX ± .005	THREADS:	EXTERNAL - CLASS 2A INTERNAL - CLASS 2B	
HOLE DIA's	.XX ± .010 .XXX ± .003 .XXX ± .001	UNMARKED ANGLES, BENDS & INTERSECTIONS:	90°	
ANGLES	± 0° 30'	MACHINED SURFACES:	63 OR BETTER	
BENDS	± 2°	REMOVE ALL BURRS & SHARP CORNERS		
PERPENDICULARITY	.003/INCH			
CONCENTRICITY	.003 TIR			
SAMPLES MUST BE APPROVED BY ENGINEERING DEPARTMENT PRIOR TO STARTING PRODUCTION		MATERIAL		
THIS DRAWING IS THE PROPERTY OF HINDS INSTRUMENTS INC. ALL RIGHTS RESERVED.		FINISH		
		APPROVALS	DATE	
		DRAWN	11/20/23	
		CHECKED		
SIZE	FSCM NO.	DWG. NO.	REV.	
B		010-0000-113-R	0	
SCALE	1:21	RELEASE DATE:	SHEET 1 OF 2	



MAXIMUM GANTRY BACK



# Exicor 800HD - Lower Enclosure Version Max Back

**CONFIDENTIAL**

UNSPECIFIED LIMITS DIMENSIONS ARE IN INCHES		DO NOT SCALE DRAWING		<b>HINDS</b> Instruments, Inc. <small>7245 NE Evergreen Pkwy, Suite 150 Hillsboro, OR 97124 PHONE (503) 690-2000 FAX (503) 690-3000</small>	
FRACTIONS	± 1/32	STRAIGHTNESS &/OR FLATNESS:	.005/INCH	DATE PRINTED:	
DECIMALS	.XX ± .010 .XXX ± .005	THREADS:	EXTERNAL - CLASS 2A INTERNAL - CLASS 2B	APPROVALS	DATE
HOLE DIA's	.XX ± .010 .XXX ± .003 ± 0° 30'	UNMARKED ANGLES, BENDS & INTERSECTIONS:	90°	DRAWN	3/8/23
ANGLES	± 2°	MACHINED SURFACES:	63 OR BETTER	CHECKED	
BENDS	± 2°	REMOVE ALL BURRS & SHARP CORNERS		MATERIAL	
PERPENDICULARITY	.003/INCH			FINISH	
CONCENTRICITY	.003 TIR				
SAMPLES MUST BE APPROVED BY ENGINEERING DEPARTMENT PRIOR TO STARTING PRODUCTION				SIZE	FSCM NO.
THIS DRAWING IS THE PROPERTY OF HINDS INSTRUMENTS INC. ALL RIGHTS RESERVED.				B	
				DWG. NO.	REV.
				010-0000-113-R	0
				SCALE	RELEASE DATE:
				1:27	SHEET 2 OF 2