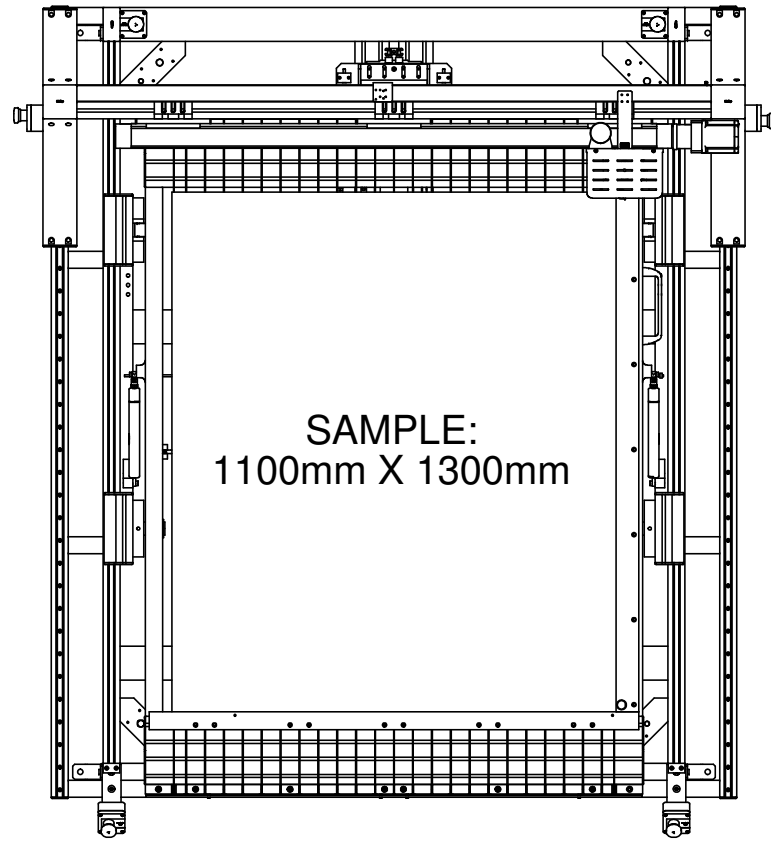
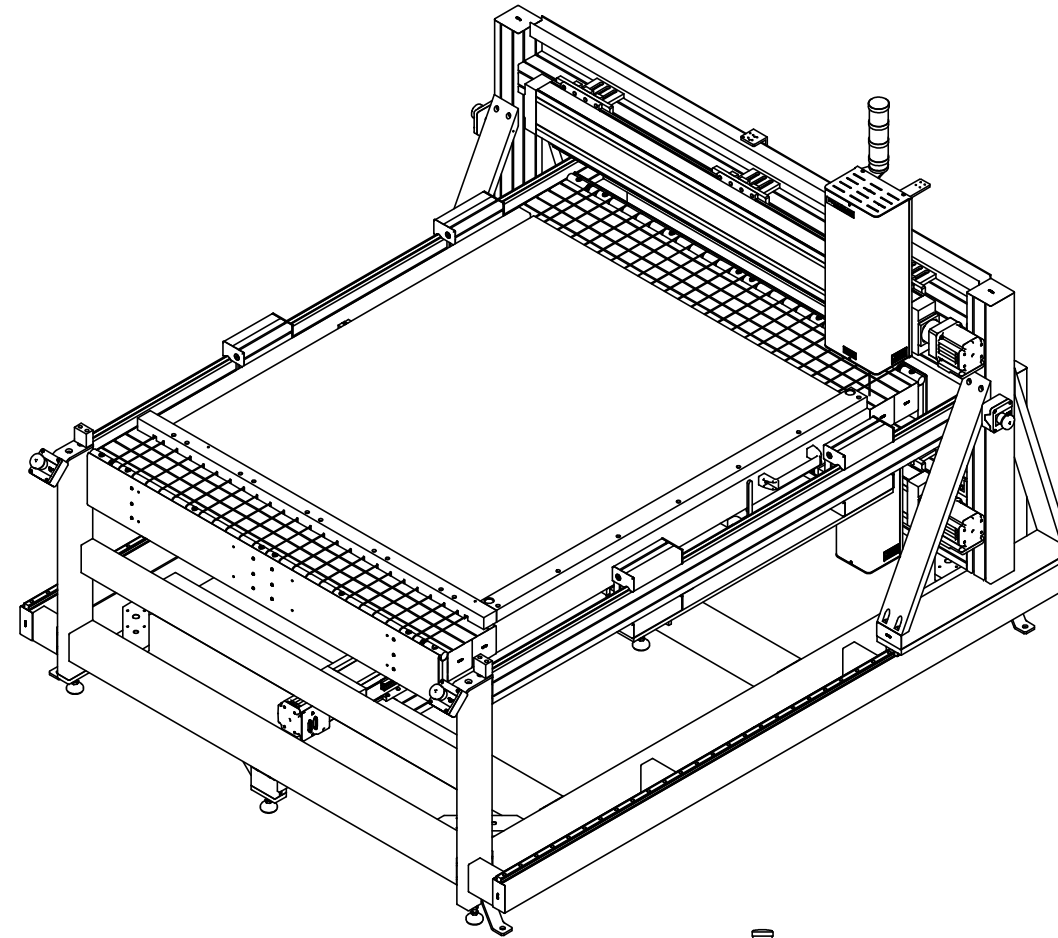


REV.	DESCRIPTION	BY	DATE
0	INITIAL CONTROL	cmansfield	12/21/2009

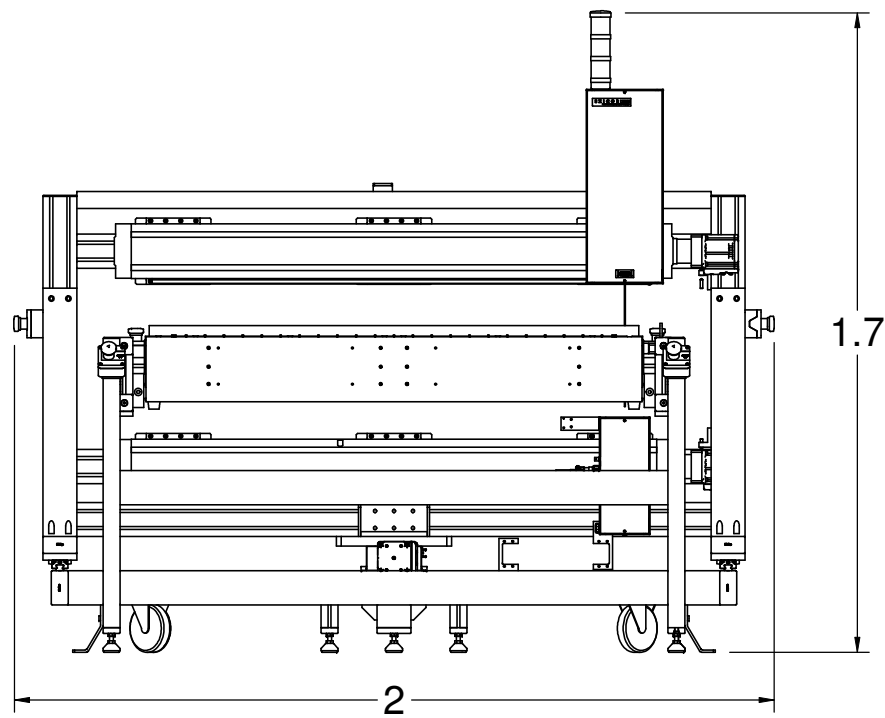
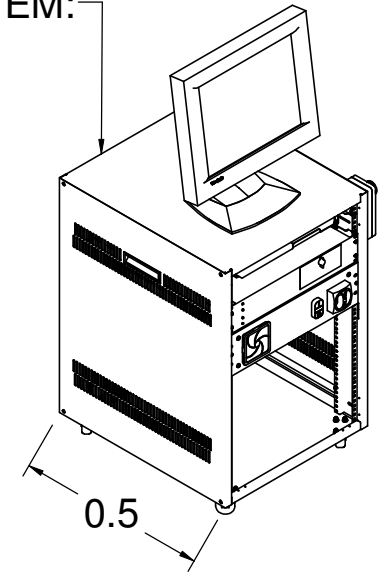
TOP VIEW:



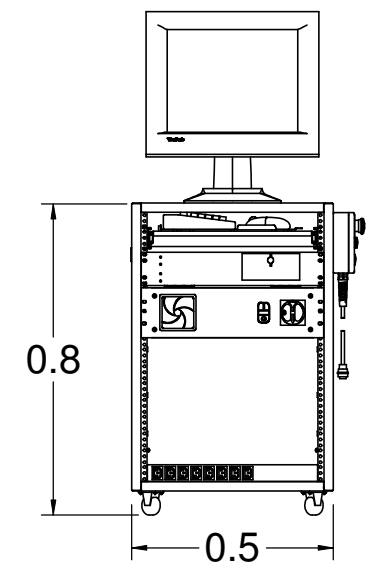
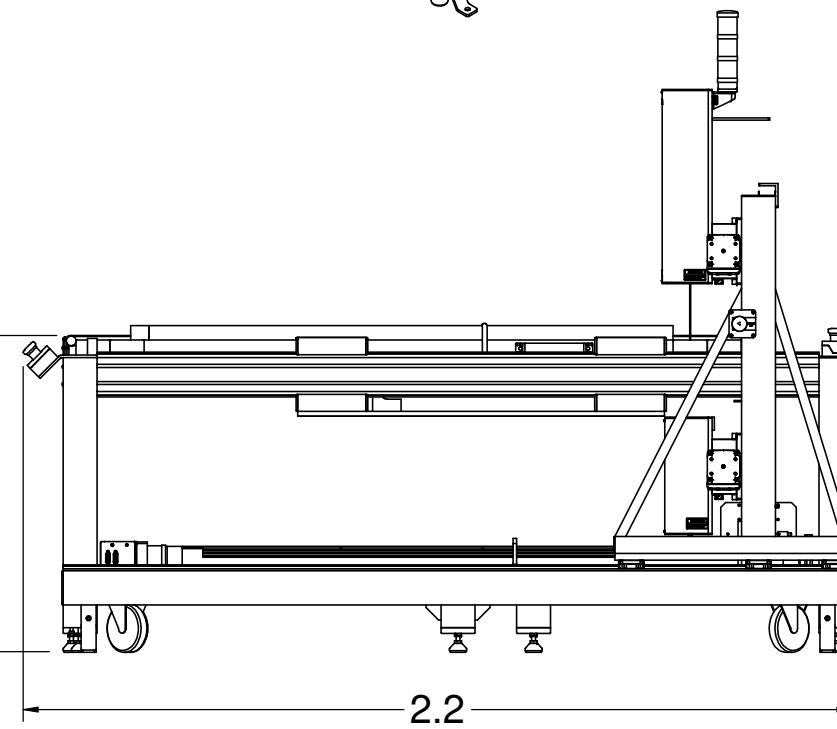
DIMENSIONS: METERS



CONTROL SYSTEM:



0.8
SAMPLE HEIGHT



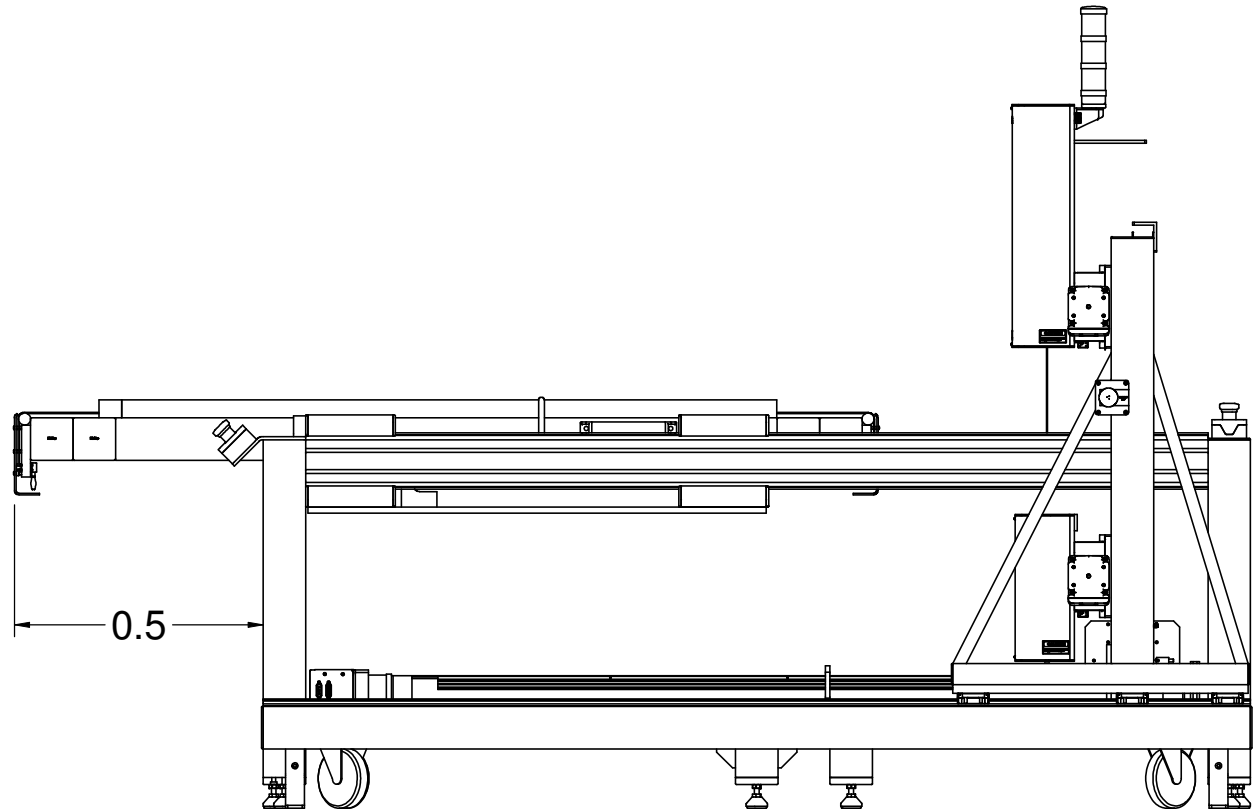
FRONT VIEW: MODULES SHOWN
IN MAX BACK MAX RIGHT POSITION

SIDE VIEW:

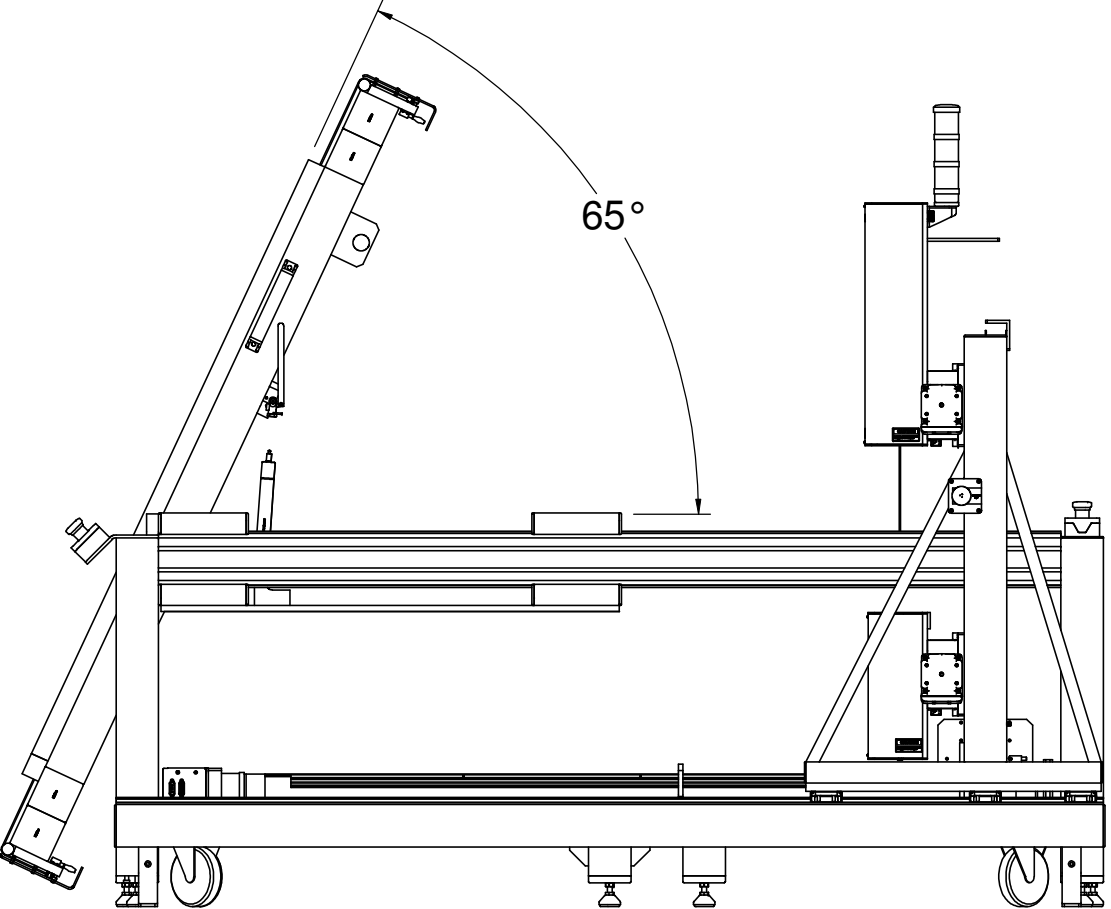
UNSPECIFIED LIMITS DIMENSIONS ARE IN INCHES		DO NOT SCALE DRAWING		 HINDS Instruments, Inc. 10000 Corporate Blvd. P.O. Box 200000 Dallas, TX 75220-0000
FRACTIONS: XX/100 DECIMALS: XX.XX HOLE DIA: XX.XX ANGLES: XX° XX' BENDS: XX° PERPENDICULARITY: XX CONCENTRICITY: XX	DIMENSIONS: AS SHOWN FINISHES: AS SHOWN TOLERANCES: CLASS 20 INTERNAL: CLASS 20 SURFACES: AS SHOWN HIDDEN: AS SHOWN CHECKED: cmansfield DATE: 12/21/09	DATE PRINTED: APPROVALS: CHECKED: DATE: 12/21/09	MATERIAL: FINISH: SCALE: 1:10 RELEASE DATE:	


REV.	DESCRIPTION	BY	DATE
-	See Sheet	-	-

FRONT LOADING POSITION: **OPTION**



TILTED LOADING POSITION: ** OPTION**



UNSPECIFIED LIMITS DIMENSIONS ARE IN INCHES		DO NOT SCALE DRAWING		 Hinds Instruments, Inc. 12200 Corporate Blvd. P.O. Box 200000, Dallas, TX 75220-0000	
FRACTIONS DECIMALS HOLE DIA. HOLE DIA. ANGLES PERPENDICULARITY CONCENTRICITY	± 1/32 XX ± 0.01 XX ± 0.01 XX ± 0.01 XX ± 0.01 ± 0° 30' ± 0° ± 0.001 ± 0.001	STRAIGHTNESS & OR FLATNESS: 0.005 INCH SURFACE INTERNAL - CLASS 2A INTERNAL - CLASS 2B DIMENSION CHECKED MATERIAL FINISH	DATE PRINTED: APPROVALS DATE 12/21/09 CHECKED MATERIAL FINISH	SCALE 1:8	SHEET 2 OF 2
SAMPLES MUST BE APPROVED BY ENGINEERING DEPARTMENT PRIOR TO SHIPPING PRODUCTION		DATE 12/21/09 CHECKED MATERIAL FINISH		Exicor Gen5 LCD - OD REV: 0	