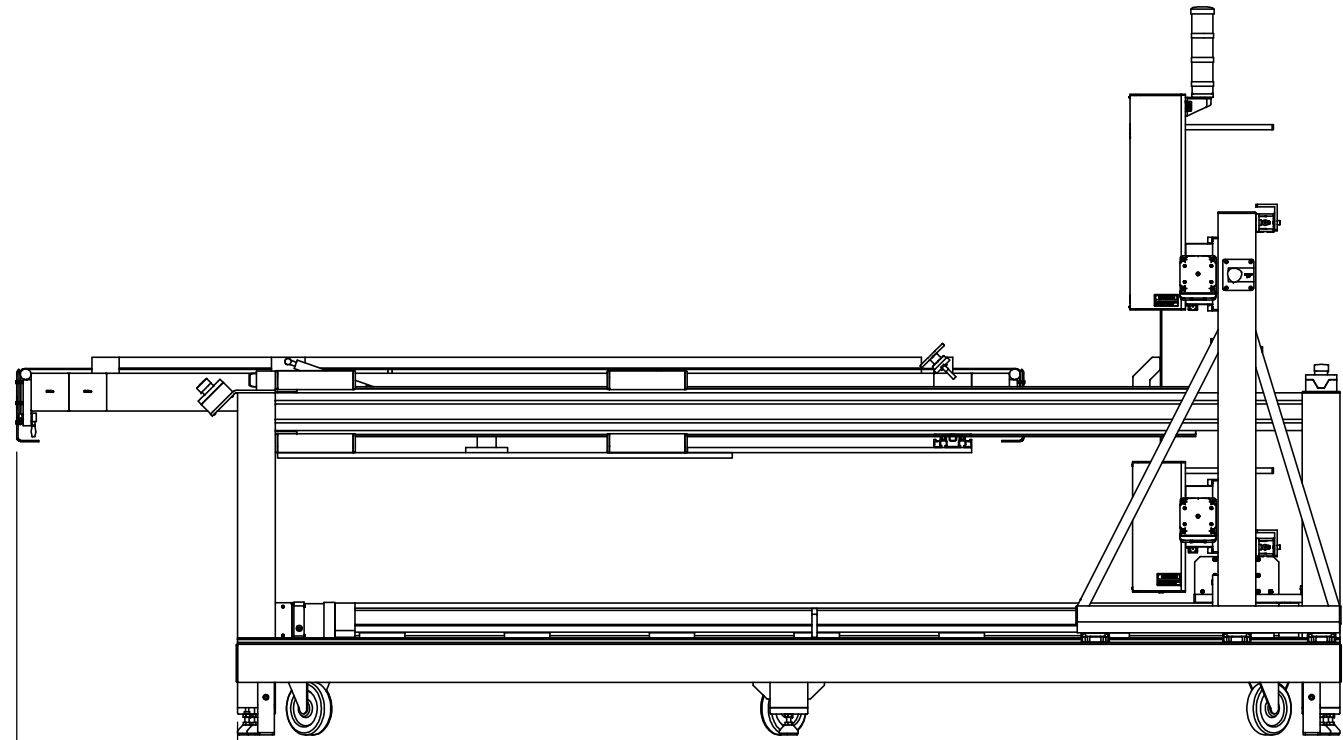


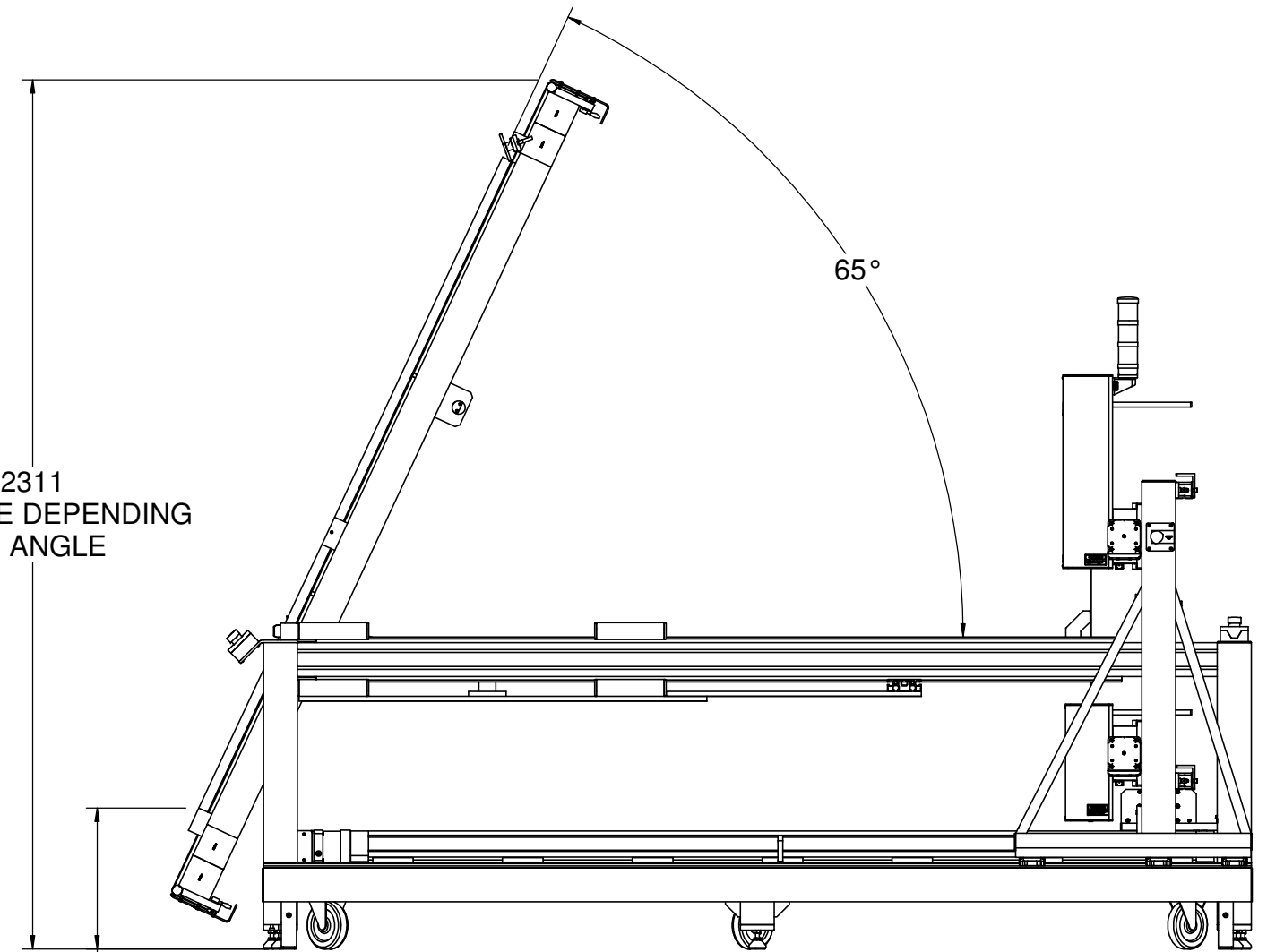
REV.	DESCRIPTION	BY	DATE
-	See Sheet1	-	-

FRONT LOADING POSITION:



526
VARIABLE DEPENDING
ON ANGLE OF TILT

TILTED LOADING POSITION: ANGLE IS VARIABLE



2311
VARIABLE DEPENDING
ON ANGLE

375
VARIABLE DEPENDING
ON ANGLE

CONFIDENTIAL

UNSPECIFIED LIMITS DIMENSIONS ARE IN INCHES		DO NOT SCALE DRAWING		HINDS [®] Instruments, Inc. INSTRUMENTS	
FRACTIONS	+ 1/32	STRAIGHTNESS SURF		DATE PRINTED:	
DECIMALS	.XX ± 0.01	FLANGES: 0.005 INCH		APPROVALS	DATE
HOLE DIA.	.XX ± 0.01	THREADS:		cmansfield	3/10/11
	.XXX ± 0.01	EXTERNAL - CLASS 2A		CHECKED	
UNSHARDED ANGLES	0°	INTERNAL - CLASS 2B		MATERIAL:	
ANGLES	± 0' 30"	RENCH & INTERSECTIONS: 90°		FINISH:	
BENDS	± 2'	MATCHED SURFACES:		SCALE	1:9
PERPENDICULARITY	0.001 INCH	AS FOR FITS		RELEASE DATE:	
CONCENTRICITY	0.01 INCH	REMOVE ALL BURRS & SHARP CORNERS		SHEET	3 OF 3
SAMPLES MUST BE APPROVED BY ENGINEERING DEPARTMENT PRIOR TO STARTING PRODUCTION				REV:	1



**Exicor Gen6 LCD - OD
With Tilt**

DWG. NO. 3102011-02