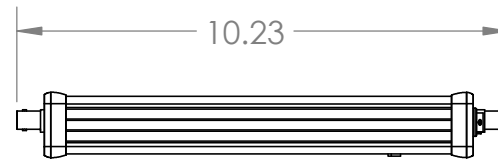
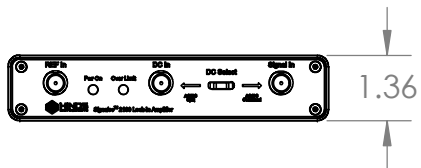
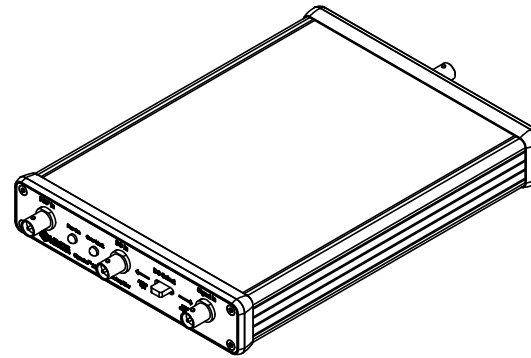
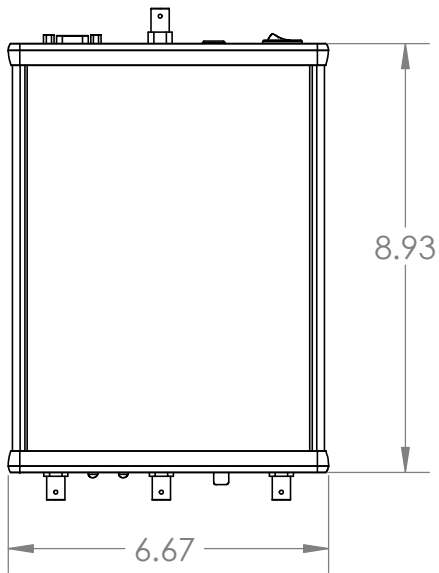



REV.	DESCRIPTION	BY	DATE
0	INITIAL CONTROL	jwolf	6/4/14



UNSPECIFIED LIMITS DIMENSIONS IN INCHES		DO NOT SCALE DRAWING		 Hinds Instruments, Inc. 7245 NW Evergreen Pkwy Hillsboro, OR 97124 PHONE (503) 690-2000 FAX (503) 690-3000	
FRACTIONS	± 1/32	STRAIGHTNESS &/OR FLATNESS: .005/INCH	DATE PRINTED		Signaloc 2100 Lock-In Amplifier
DECIMALS	.XX ± .010 .XXX ± .005	THREADS: EXTERNAL - CLASS 2A INTERNAL - CLASS 2B	APPROVALS	DATE	
HOLE DIA's	.XX ± .005 .XXX ± .001	UNMARKED ANGLES, BENDS & INTERSECTIONS: 90°	DRAWN	6/4/14	
ANGLES	± 0° 30'	MACHINED SURFACES: 63 OR BETTER	CHECKED		
BENDS	± 2°	REMOVE ALL BURRS & SHARP CORNERS	MATERIAL		SIZE A FSCM NO. DRAWING NO. REV. A 020-2651-046 D
PERPENDICULARITY	.003/INCH		FINISH		SCALE 1:4 RELEASE DATE: SHEET 1 OF 1
CONCENTRICITY	.003 TIR		SAMPLES MUST BE APPROVED BY ENGINEERING DEPARTMENT PRIOR TO STARTING PRODUCTION		
		THIS DRAWING IS THE PROPERTY OF HINDS INSTRUMENTS INC. ALL RIGHTS RESERVED.			